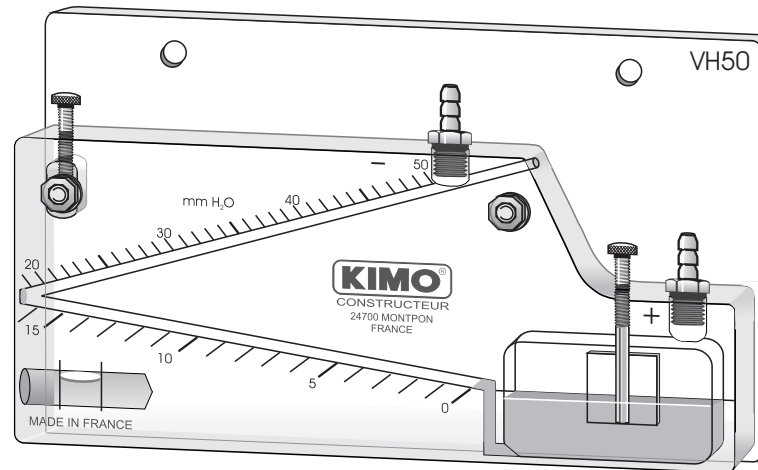




VH SERIES INCLINED LIQUID COLUMN MANOMETERS



The VH range of inclined liquid column manometers, developed and manufactured by KIMO, measure slight variations in pressure, depression or differential pressure of air or gas. They are particularly recommended for checking clogging of filters in the ventilation and dust elimination industry.

- **Horizontale V-shaped liquid column.**
- **Dual measurement range.**
- **Different sensitivity on the two measurement ranges.**
- **Zero adjustment via float.**
- **Compact dimensions.**
- **Integrated spirit level for adjusting horizontality.**
- **Comes with a white PVC support, 2 screws and 2 rawlplugs, two 487 connectors and a bottle of AWS 10 liquid.**

MEASUREMENT RANGE

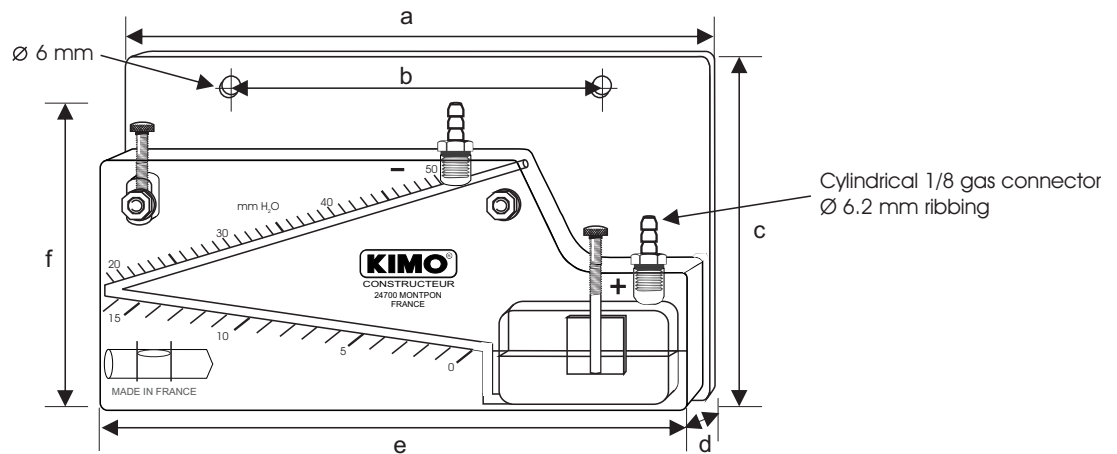
REFERENCE	MEASUREMENT RANGE									SENSITIVITY SCALE for 1 mm CE or 10 Pa or 0.04 In.WG		RESOLUTION 1 st and 2 nd column
	mm CE			Pascal			In.WG			1 st column	2 nd column	
	Total	1 st column	2 nd column	Total	1 st column	2 nd column	Total	1 st column	2 nd column			
VH 35	0-35	0 to 11	14 to 35	0-350	0 to 110	140 to 350	0-1.4	0 to 0.44	0.56 to 1.4	8 mm	5.5 mm	1 mm CE or 10 Pa or 0.04 In.WG
VH 50	0-50	0 to 16	19 to 50	0-500	0 to 160	190 to 500	0-2	0 to 0.64	0.76 to 2	7 mm	3.5 mm	1 mm CE or 10 Pa or 0.04 In.WG
VH 100	0-100	0 to 16	18 to 100	0-1000	0 to 160	180 to 1000	0-4	0 to 0.64	0.72 to 4	7 mm	2.5 mm	1 mm CE or 10 Pa or 0.04 In.WG

The VH 50 also exists in DaPa.

CHARACTERISTICS

- Recommended range of use : +5 to 30°C.
- Possible range of use : -30 to 60°C.
- Maximum static pressure : 1 bar.
- Manometer body : transparent 15 mm thick Altuglas.
- Liquid column : entirely bored in the solid block, Ø 4 mm.
- Graduation : directly silk-screened onto the rear face.
- Zero adjustment by moving the Altuglas float and the milled, nickel-plated brass screw, travel 10 mm.
- Horizontal positioning via integrated spirit level and milled, nickel-plated brass adjusting screw, vertical travel 12 mm.
- Manometric liquid : AWS 10 red oil, density 0.87 at 15°C.
- Reservoir capacity : 20 ml.
- connection : Ø 5x8 mm semi-rigid crystal tube, on Ø 6.2 mm ribbed, nickel-plated brass connectors, 1/8 gas thread.
- Wall-mounted with or without white PVC support.

DIMENSIONS



REFERENCE	a	b	c	d	e	f	Weight
VH 35	180 mm	120 mm	94 mm	25 mm	175 mm	83 mm	340 g
VH 50	188 mm	120 mm	112 mm	25 mm	182 mm	101 mm	380 g
VH 100	188 mm	120 mm	167 mm	25 mm	182 mm	156 mm	600 g

MOUNTING

Mount the manometer on a wall or a vertical partition wall with two maximum Ø 5 screws. Set horizontality by using the integrated level and the milled adjusting screw. Unscrew the connector on the reservoir and slowly pour the manometric liquid to zero point on the graduation. Remount the connector without overtightening. Connect the manometer with the Ø 5x8 mm crystal tube to the pressure or depression source to be checked.

NOTE :

- For a pressure measurement : connect the crystal tube to the right-hand connector (+).
- For a depression measurement : connect the crystal tube to the left-hand connector (-).
- For a differential pressure measurement : connect the highest pressure to the right-hand connector (+) and the lowest pressure to the left-hand connector (-).

MAINTENANCE : VH manometers require no special maintenance other than simply changing the reading liquid once a year.

www.kimo.fr

Distributed by :

EXPORT DEPARTMENT

Tel : + 33. 1. 60. 06. 69. 25 - Fax : + 33. 1. 60. 06. 69. 29

e-mail : export@kimo.fr

