

PRESSURE SWITCH EXPLOSION PROOF TYPE

PS2200X

**CLASS I, GROUPS A, B, C, D;
CLASS II, GROUPS E, F, G; NEMA 4X**
Proof Pressure to 1000psi
Adjustable Ranges: 0.4~9.8psi
Temperature: -25 to 205°C

The New-Flow PS2200X, an explosion proof pressure switch, is designed to be used in control systems. PS2200X has high set point repeatability and narrow dead band features. A variety of range selections are available upon request. Easily adjusted to the set point, no special tools needed!

Technical Data

Switch Data: one SPDT & two SPDT Microswitch, 15amps 125/250V, Gold Contact Microswitch 1A 125/250VAC, Hermetically sealed switch 3A res. 1A ind. 28V/DC, 1A res. ind. 115V/AC

Housing: die cast aluminum alloy with paint

Conduit Connection: ¾" or ½" NPT Female

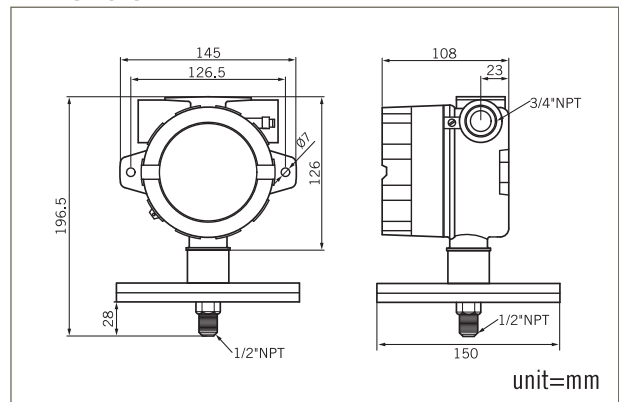
Pressure Element: welded type diaphragm

Process Materials: wetted parts are all in SS316

Process Connection: ½" or ¼" NPT male



Dimension



Range Selection Table

Code	Adjustable Range	Dead Band	Maximum Pressure Proof
04R	0.4~1.8 psi	0.2~0.4	1000psi
10R	0.4~2.8 psi	0.2~0.5	1000psi
20R	0.4~5.0 psi	0.3~0.6	1000psi
30R	1.6~9.8 psi	0.3~0.8	1000psi

Ordering Information

PS2200X	Code	Range	Code	Range	Code	Range	Code	Range	
		04R	0.4~1.8psi	10R	0.4~2.8psi	20R	0.4~5.0psi	30R	1.6~9.8psi
		Code	Wetted Material						
		A	SS316						
		Code	Process Connection						
			(1) ½" NPT male (2) ¼" NPT male						
		Code	Condit Connection						
			(E) ¾" NPT Female, standard (F) ½" NPT Female						
		Code	Switch Form						
		1	One SPDT						
		2	Two SPDT (one setting point)						
		3	Gold Contact (SPDT)						
		4	Hermetically Sealed (SPDT)						
PS2200X									Complete Ordering Code