

PLASTIC TUBE FLOW METER BPF300

Technical Data

BPF300 for high flows of gas and liquid

Case material: SS316

Body wetted parts: in PVC, CPVC, PVDF

Indication via magnetic coupling (no sealed)

Scales calibrated: in l/h, m³/h, kg/h, %, etc.

Flow rates for:

- Water : 4 l/h up to 15,000 l/h.
(special ranges on request)
- Air: 0.1 Nm³/h up to 450 Nm³/h.
(special ranges on request)

Connection types: Thread NPT or BSP

Connection size: 1/2" ~ 2 1/2" NPT or BSP

Mounting length: 250 mm, standard or others

Protection class: IP65

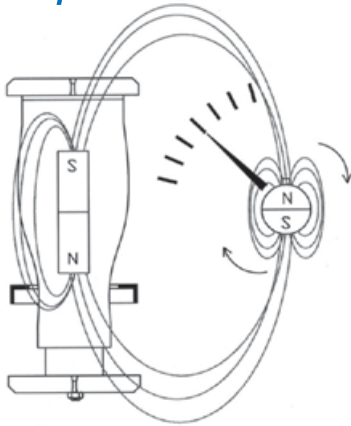
Accuracy: ±2% F.S.(±1.6% F.S Option)

Max. working pressure: 20 kg/cm² (standard)

Max. working temperature: PVC: 0~40°C; CPVC: 0~60°C; PVDF: -30°C~100°C

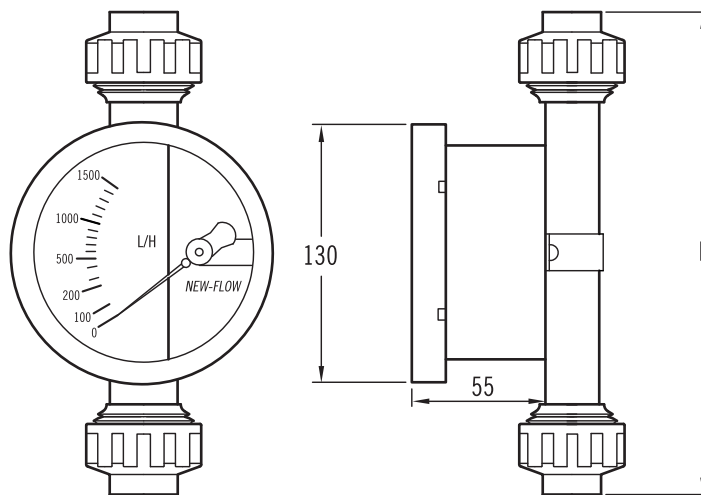


Principle



Dimensions

IP65



L: Standard 250mm

Other please refer to the *Standard Scales*

unit=mm

Standard Scales

A. Float Material: SS316

Tube	L/H 20°C Water	NM ³ /H Air 20°C 1.013bar	PmmWater	Thread Connection	Thread Type L (mm)
BPF3001	4 ~ 30	0.1 ~ 1	≤750	1/2"	221
BPF3002	4 ~ 40	0.13 ~ 1.3	≤750	1/2"	221
BPF3003	5.5 ~ 55	0.17 ~ 1.7	≤750	1/2"	221
BPF3004	8 ~ 80	0.2 ~ 2	≤750	1/2"	221
BPF3005	16 ~ 160	0.5 ~ 5	≤750	1/2"	221
BPF3006	18 ~ 180	0.6 ~ 6	≤750	1/2"	221
BPF3007	30 ~ 300	1 ~ 10	≤750	1/2"	221
BPF3008	50 ~ 500	1.5 ~ 15	≤750	1/2"	221
BPF3009	60 ~ 600	1.8 ~ 18	≤750	1/2"	221
BPF3010	70 ~ 700	2 ~ 20	≤750	1/2"	221
BPF3011	100 ~ 1000	3 ~ 30	≤750	1/2"	235
BPF3012	120 ~ 1200	4 ~ 40	≤750	1/2"	235
BPF3013	160 ~ 1600	5 ~ 50	≤700	3/4"	250
BPF3014	200 ~ 2000	6 ~ 60	≤700	3/4"	250
BPF3015	240 ~ 2400	7 ~ 70	≤700	3/4"	250
BPF3016	280 ~ 2800	8.5 ~ 85	≤700	3/4"	250
BPF3017	320 ~ 3200	9 ~ 90	≤700	3/4"	250
BPF3018	350 ~ 3500	10 ~ 100	≤700	3/4"	250
BPF3019	500 ~ 5000	14 ~ 140	≤650	1" & 1½"	270
BPF3020	600 ~ 6000	15 ~ 150	≤650	1" & 1½"	270
BPF3021	700 ~ 7000	20 ~ 200	≤650	1" & 1½"	270
BPF3022	800 ~ 8000	24 ~ 240	≤650	1" & 1½"	270
BPF3023	1000 ~ 10000	30 ~ 300	≤650	2" & 2½"	306
BPF3024	1200 ~ 12000	35 ~ 350	≤650	2" & 2½"	306
BPF3025	1400 ~ 14000	40 ~ 400	≤650	2" & 2½"	306
BPF3026	1500 ~ 15000	45 ~ 450	≤1000	2" & 2½"	306

NOTE

Performance Technical Data are effective with date of issue and are subject to change without prior notice.

Ordering Information

BPF300	Code	Type	Code	Connection size	
	G	Indicating only	2B	1/2" BSP (Female)	
		Code	Body & wetted parts	2N	1/2" NPT (Female)
		A	PVC, standard	6B	3/4" BSP (Female)
		B	CPVC	6N	3/4" NPT (Female)
		C	PVDF	10B	1" BSP (Female)
		D	option	10N	1" NPT (Female)
		Code	Float material	12B	1½" BSP (Female)
		A	SS316	12N	1½" NPT (Female)
		B	SS316L	20B	2" BSP (Female)
		C	PVDF	20N	2" NPT (Female)
		D	option	22B	2½" BSP (Female)
		Code	Connection rating	22N	2½" NPT (Female)
		0	Thread connection	Code	Protection Class
				IP	IP65
				Code	Fluid
			G	Gas	
			L	Liquid	
			Code	Range	
			S	Standard range	
				Please directly fill out the flow range in the order code.	

BPF300					+					Complete ordering code
--------	--	--	--	--	---	--	--	--	--	------------------------

NOTE:

1. Custom-made flow range and flange size upon request.
2. Please fill in the ordering information and service condition, and fax this sheet along with your inquiry to 886-7-8225588.

Special instruction, if any:

Service Condition:

Fluid name: _____

Sp. Gr. (density): _____

Viscosity: _____

Press.: _____

Temp.: _____

Full scale: _____