

# UNION TYPE DIAPHRAGM SEAL

## DT105

DT-105 diaphragm seal is designed to be used in food, beverage industry and pharmaceutical industry. It is easy to assemble with pressure gauges, pressure switches and pressure instruments.

### Technical Data

**Instrument connection:** female thread 1/4" to 1/2" BSP or NPT

**Process connection:** 1", 1 1/2", 2" (SMS)

25, 32, 40, 50 (DN11851)

**Temperature limited:** -40~+150°C

**Pressure range limited:** (for pressure gauge)

Size	1" / 25	1 1/2" / 32, 40	2" / 50
MINIMUM LIMITED (kg/cm <sup>2</sup> )	0~10	0~4	-1~+1.5
MAXIMUM LIMITED (kg/cm <sup>2</sup> )	0~60	0~40	0~16

**Material:** body-SS316(standard)

Option: SS316L, Hastelloy C276, and others on request

**Membrane:** SS316L(standard)

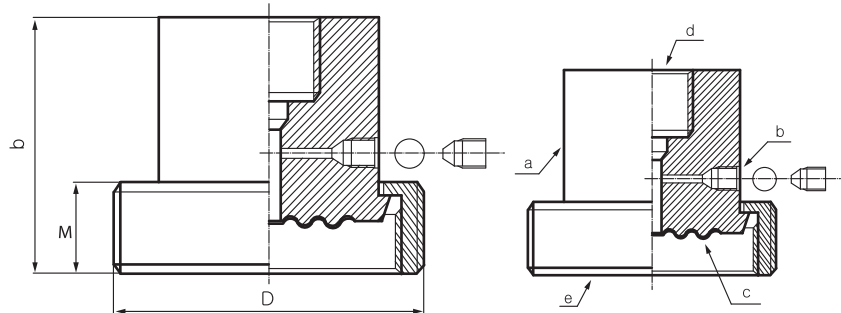
Option: Hastelloy C276, tantalum and others on request



### Dimensions

Item	Description of Parts
a	Body housing
b	Filling port
c	Membrane
d	Instrument connection
e	Chemical seal with union nut or hexagon nut

**NOTE**  
Performance Technical Data are effective with date of issue and are subject to change without prior notice.



unit=mm

### Dimensional Data

SMS	D	b	M
1"	51	56	20
1 1/2"	74	56	25
2"	84	62	26

DN	D	b	M
25	63	54	21
32	70	54	21
40	78	54	21
50	92	48	22

### Ordering Information

DT105	Code	Instrument Connection (Female)
		(A) 1/4"BSP (B) 1/4"NPT (C) 3/8"BSP (D) 3/8"NPT (E) 1/2"BSP (F) 1/2"NPT
	<b>Code</b>	<b>Process connection</b>
		(1)1"SMS (2) 1 1/2"SMS (3) 2"SMS (4) DN25 (5) DN32 (6) DN40 (7) DN50
	<b>Code</b>	<b>Body material</b>
		(S) SS316 (standard) (O) Option
	<b>Code</b>	<b>Membrane material</b>
		(1) SS316L (2) Hastelloy C276 (3) Tantalum (4) Option
DT105		Complete ordering code