

CLAMP CONNECTION TYPE DIAPHRAGM SEAL

DT106

DT106 sanitary diaphragm seal is designed to be used in food, beverage industry and pharmaceutical industry. It is easy to assemble with pressure gauges, pressure switches and pressure instruments.

Technical Data

Instrument connection: female thread $\frac{1}{4}$ " to $\frac{1}{2}$ " BSP or NPT

Process connection: 1", $1\frac{1}{2}$ ", 2" (ISO2852), 25, 32, 40, 50 (DIN32676)

Temperature limited: -40~+150°C

Pressure range limited: (for pressure gauge)

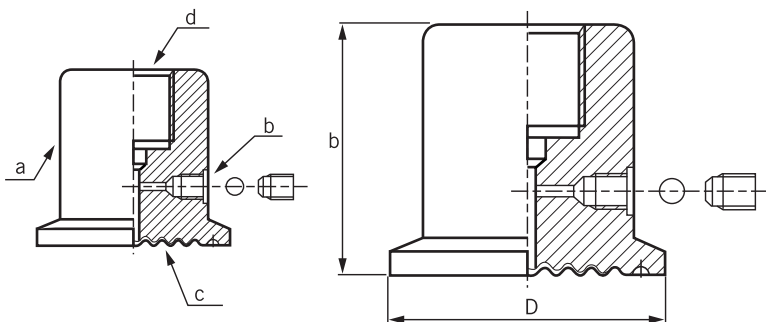
Size	Minimum Limited	Maximum Limited
1"	0~10 Kg/cm ²	0~60 Kg/cm ²
$1\frac{1}{2}$ "	0~4 Kg/cm ²	0~40 Kg/cm ²
2"	-1~1.5 Kg/cm ²	0~16 Kg/cm ²

Material: Body– SS316 (standard); options– SS316L, Hastelloy C276, and others available on request

Membrane: SS316L (standard); Options– Hastelloy C276, tantalum, titanium and others on request.

Dimensions

Item	Description of Parts
a	Upper housing
b	Filing port
c	Membrane
d	Instrument connection



Dimensional Data unit=mm

ISO	b	D
1"	37	50.5
$1\frac{1}{2}$ "	37	50.5
2"	45	64

DIN	b	D
25	37	50.5
32	37	50.5
40	37	50.5
50	45	64

Ordering Information

DT106	Code	Instrument Connection (Female)	
		(A) $\frac{1}{4}$ "BSP (B) $\frac{1}{4}$ "NPT (C) $\frac{3}{8}$ "BSP (D) $\frac{3}{8}$ "NPT (E) $\frac{1}{2}$ "BSP (F) $\frac{1}{2}$ "NPT	
		Code	Process connection type
		ISO	ISO2852
		DIN	DIN32676
		Code	Process connection rating
		ISO	(1) 1" (2) $1\frac{1}{2}$ " (3) 2"
		DIN	(4) 25 (5) 32 (6) 40 (7) 50
		Code	Body material
		(S)	SS316 (0) Option
		Code	Membrane material
		(1)	SS316L (2) HC276 (3)Tantalum (4) Option
		Code	Pressure Range
		(0)	Diaphragm seal only (R) Directly fill out pressure gauge
DT106			
			Complete ordering code

