

# THREAD TYPE DIAPHRAGM SEAL

## DT110

DT110 diaphragm seal is designed to be used in highly viscous process media such as pulp, paper, waste water treatment, and plastic/chemical process industries. DT110 is easy to assemble with pressure gauges, pressure switches, and pressure instruments.

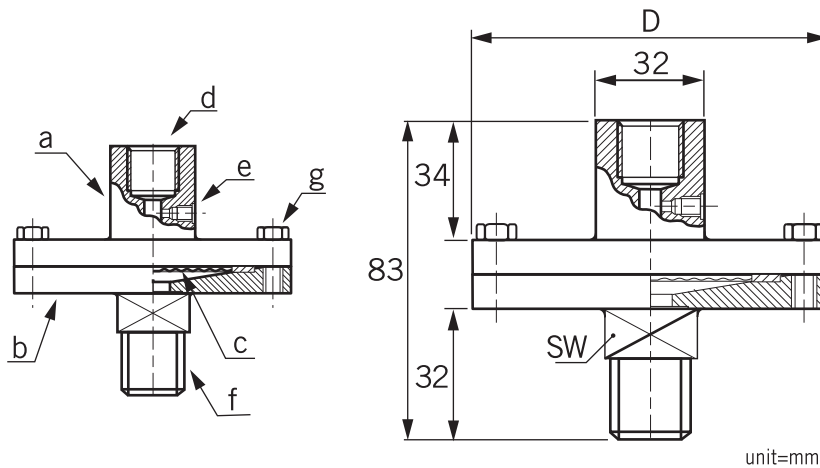
### Technical Data

- Instrument connection:** female thread ¼" to ½" BSP or NPT
- Membrane size:** Ø45, Ø55, Ø75 available
- Process connection:** ¼" to ½" Thread BSP or NPT
- Temperature limited:** -40~+150°C cooling element or capillary line up to 350°C
- Pressure range limited:**
  - Maximum up to 40 kg/cm<sup>2</sup>
  - Minimum: -760 mmHg~0 (Ø75 Membrane)
  - 1~1.5 kg/cm<sup>2</sup> (Ø55 Membrane)
  - 1~1.5 kg/cm<sup>2</sup> < 0~6 kg/cm<sup>2</sup> (Ø45 Membrane)
- Material:** Upper & Lower housing- SS316 (standard), others on request
- Membrane:** SS316L (standard); Options- Hastelloy C276, tantalum, and others on request.



### Dimensions

Item	Description of Parts
a	Upper housing
b	Filling port
c	Membrane
d	Instrument connection
e	Filling port
f	Process connection
g	Screw bolt



Membrane size			
Ø	45	55	75
D	68.5	80	100

### Ordering Information

DT110	Code	Instrument Connection (Female)
		(A) ¼"BSP (B) ¼"NPT (C) ⅜"BSP (D) ⅜"NPT (E) ½"BSP (F) ½"NPT
		<b>Code</b> <b>Membrane size</b>
		(A) Ø45 (B) Ø55 (C) Ø75
		<b>Code</b> <b>Process connection rating</b>
		(1) ¼" BSP (2) ¼" NPT (3) ⅜"BSP (4) ⅜"NPT (5) ½"BSP (6) ½"NPT (7) Option
		<b>Code</b> <b>Thread</b>
		(M) Male (F) Female
		<b>Code</b> <b>Upper housing material</b>
		(S) SS316(standard) (O) Option
		<b>Code</b> <b>Lower housing material</b>
		(S) SS316(standard) (O) Option
		<b>Code</b> <b>Membrane material</b>
		(1) SS316L (2) Hastelloy C276 (3) Tantalum (4) Option
DT110		Complete ordering code