

PLASTIC THREAD TYPE DIAPHRAGM SEAL

DT114

Application

DT114 diaphragm seal is made with material including, special plastic to provide to against the acid fluid for application in customers device. Its easy to assemble with pressure gauges, pressure switches and pressure transducers.

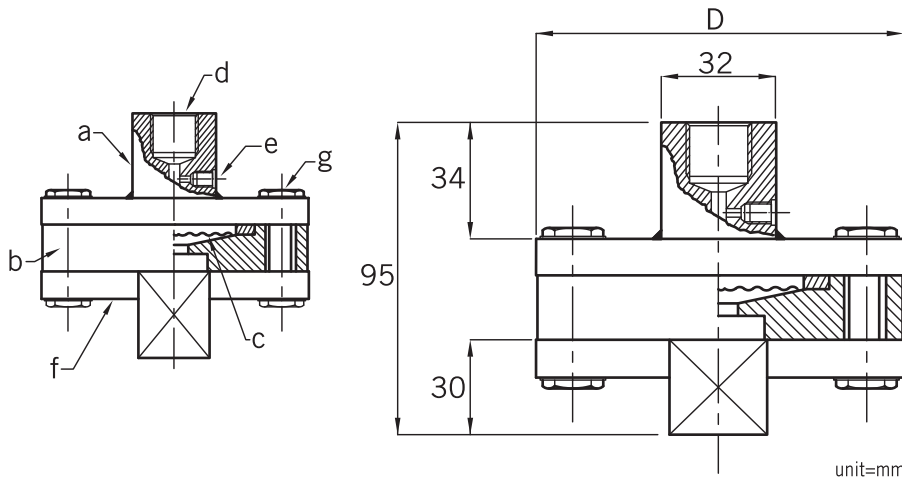
Technical Data

- Instrument connection:** Female thread 1/4" to 1/2" BSP or NPT
- Membrane size:** Ø55, Ø75
- Process connection:** 1/4" to 1/2" BSP or NPT
- Measurement range:** -760mmH₂O ~ 0 ~ 10 kg/cm² (Ø75 Membrane)
0 ~ 25 kg/cm² (Ø55 Membrane)
- Max. temperature:** Up to 120°C
- Material:** Upper housing - SS316 (standard); Low housing - P.V.C, P.P, PVDF, Teflon available
- Membrane material:** SS316L+Teflon lining (standard); Options - Hastelloy C276, Titanium, Tantalum and others on request.



Dimensions

Item	Description of Parts
a	Upper housing
b	Low housing
c	Membrane
d	Instrument connection
e	Filling port
f	Supporting ring
g	Screw bolt



Membrane size		
Ø	55	75
D	80	100

Ordering Information

DT114	Code	Instrument Connection Size
		(A) 1/4" (B) 3/8" (C) 1/2"
		Code Instrument Connection Rating
		(1) NPT (2) BSP
		Code Upper Housing Material
		(S) SS316 (O) Option
		Code Low Housing Material
		(V) PVC (P) P.P (T) Teflon (PV) PVDF
		Code Membrane Material
		(H) Hastelloy C (Ti) Titanium (Ta) Tantalum (Tf) SS316 + Teflon lining (O) Option
		Code Process Connection Size
		(A) 1/4" (B) 3/8" (C) 1/2"
		Code Process Connection Thread
		(A) NPT (male) (B) NPT (female) (C) PF (male) (D) PF (female)
DT114		Complete ordering code