

FLANGE TYPE DIAPHRAGM SEAL

DT123 –Teflon Lining Type

DT123 diaphragm seal is designed to be used in highly viscous process media such as pulp, paper, waste water treatment, and plastic/chemical process industries. DT123 is easy to assemble with pressure gauges, pressure switches, and pressure instruments.

Technical Data

Instrument connection: female thread ¼" to ½" BSP or NPT

Membrane size: Ø36, Ø45, Ø75 available

Process connection: ½" to 1" Flange, JIS, ANSI, DIN available

Temperature limited: -40~+150°C

Pressure range limited:

Ø75 Membrane: -760 mmHg~0, Minimum process flange 2" x 150#

Ø45 Membrane: Maximum up to 40 kg/cm²
Minimum -1~3 kg/cm², 0~4 kg/cm²
Minimum process flange ¾" x 150#

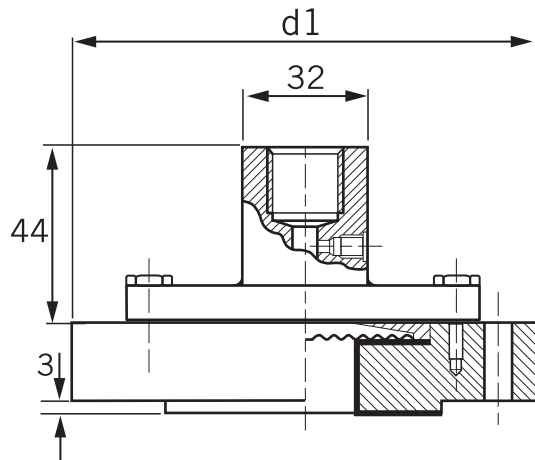
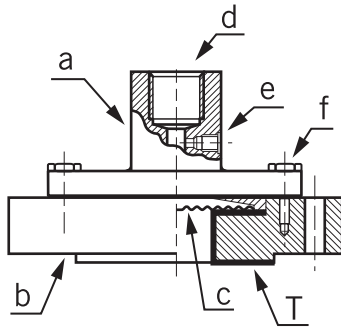
Ø36 Membrane: Maximum up to 40 kg/cm²
Minimum 0~6 kg/cm²
Minimum process flange ½" x 150#

Material: Upper & Lower housing- SS316(standard), others on request

Membrane: SS316L+Teflon lining (standard); Options- Hastelloy C276, tantalum, and others on request.

Dimensions

Item	Description of Parts
a	Upper housing
b	Lower housing
c	Membrane
d	Instrument connection
e	Filling port
f	Screw bolt
T	Teflon lining



Please note: d1 size is according to the flange rating and size.

unit=mm

*The flange sizes of 1" to 4" are available upon request.
The dimensions are according to the standard specifications of JIS, ANSI and DIN.

Ordering Information

DT123	Code	Instrument Connection (Female)
		(A) ¼"BSP (B) ¼"NPT (C) ¾"BSP (D) ¾"NPT (E) ½"BSP (F) ½"NPT
	Code	Membrane size
		(A) Ø36 (B) Ø45 (C) Ø75
	Code	Process connection rating
		(1) ½" (2) ¾" (3) 1" (4) 1½" (5) 2" (6) 3" (7) Option
	Code	Flange rating
		(1) 150# (2) 300# (3) PN16 (4) PN25 (5) JIS 10K (6) JIS 20K (7) Option
	Code	Upper housing material
		(S) SS316 (standard) (O) Option
	Code	Lower housing material
		(T) SS316+Teflon lining (O) Option
	Code	Membrane material
		(1) SS316L (2) Hastelloy C276 (3) Tantalum (4) SS316L+Teflon lining (5) Option
DT123		Complete ordering code