

HORIZONTAL MAGNETIC LEVEL SWITCH

LT202 Flange Type *SQUARE FLANGE*

LT202 float-operated level switches are suitable for controlling liquid level at horizontal mounting. The float equipped with an extended arm moves a couple magnetic mechanism to actuate a microswitch to offer an ON-OFF contact for application.

Technical Data

Enclosure housing: Weather proof IP65

Material: Wetted parts SS316 or SS304

Temperature limits: -30°C to 150°C

Pressure limits: 3.0 MPa (30 kg/cm²), option: up to 4.5 MPa

Switch function: SPDT Micro switch

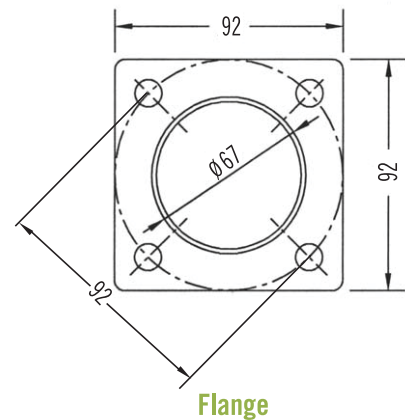
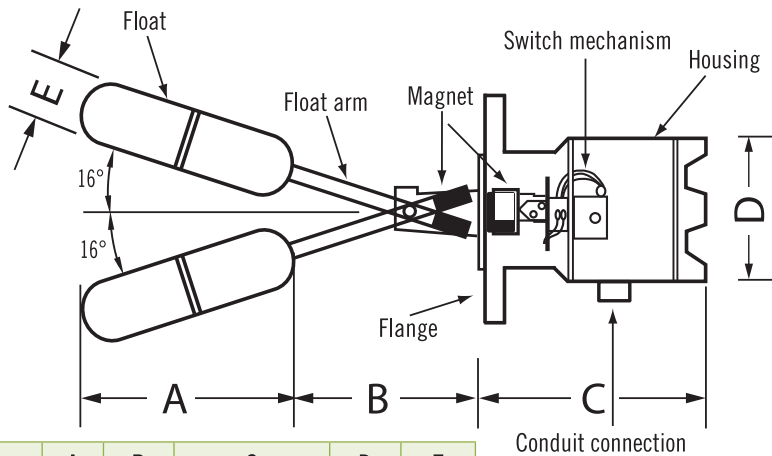
Switch rating: 3A/250VAC, 3A/30VDC, 0.4A/125VDC

Conduit connection: ½"NPT female, option

Float working specific gravity: ≥0.7 (option: less than 0.7 available on request)

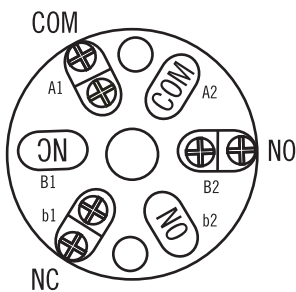


Dimensions



	A	B	C	D	E
mm	150	92	102 Approx.	64	40

*Special dimensions on request.



Wire Drawing