

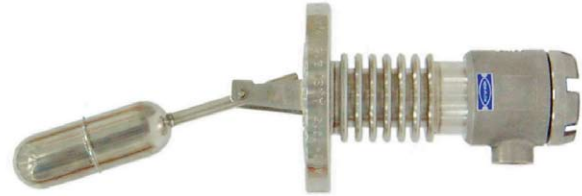
HORIZONTAL MAGNETIC LEVEL SWITCH

LT203 Flange Type For High Temperature

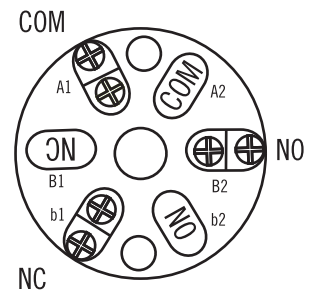
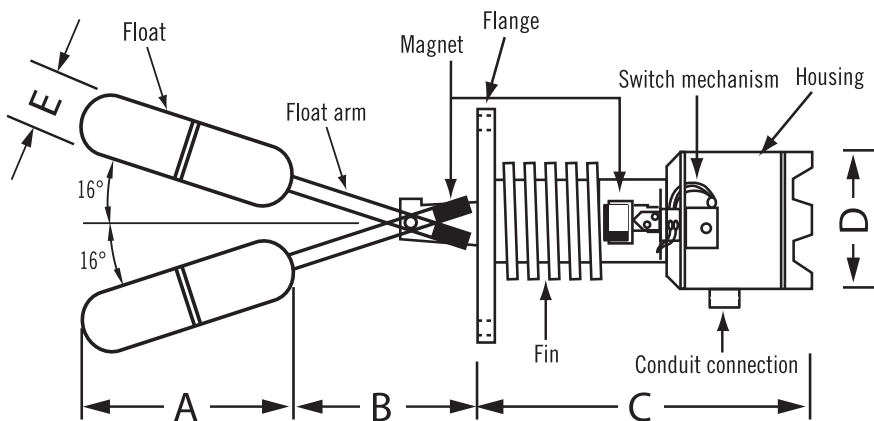
LT203 float-operated level switches are suitable for controlling liquid level at horizontal mounting. The float equipped with an extended arm moves a couple magnetic mechanism to actuate a microswitch to offer an ON-OFF contact for application. LT203 is equipped with an extra fin to be able to work under high temperature environment.

Technical Data

- Enclosure housing:** Weather proof IP65
- Process connection:** 1½" ~4" Flange type
- Flange rating:** JIS, ANSI, DIN available
- Material:** Wetted parts 316 stainless steel
- Temperature limits:** -30°C to 350°C
- Pressure limits:** 3.0 MPa (30 kg/cm²), option: up to 4.5 MPa
- Switch function:** SPDT Micro switch
- Switch rating:** 3A/250VAC, 3A/30VDC, 0.4A/125VDC
- Conduit connection:** ½"NPT female, option
- Float working specific gravity:** ≥0.7 (option: less than 0.7 available on request)



Dimensions



Wire Drawing

	A	B	C	D	E
mm	150	92	170 Approx.	64	65

*Special dimensions on request.

Ordering Information

LT203	Code	Process Connection Size
		(1) 1½" (2) 2" (3) 3" (4) 4"
		Code Process Connection Rating
		(A) JIS10K (B) JIS20K (C) ANSI 150 (D) ANSI 300 (E) PN10 (F) PN25 (G) option
		Code Flange Material
		(1) SS316 (2) SS304 (3) Option
LT203		Complete Ordering Code