

MAGNETIC FLOAT LEVEL TRANSMITTER

LT SERIES

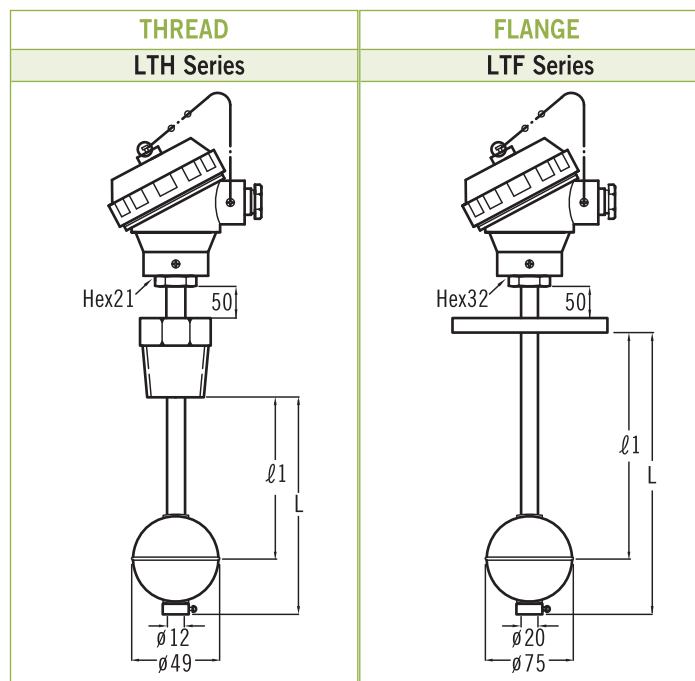
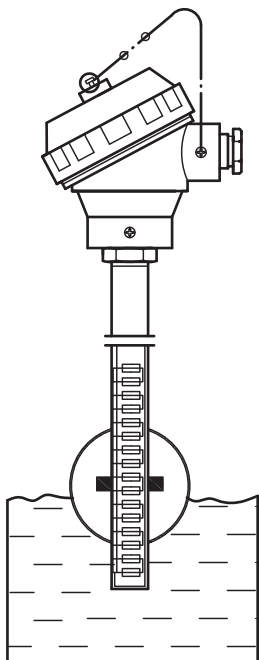
The vertical float level transmitter consist of a float with a built in permanent magnet, and guide tube built in many reed switch and resistances becoming a measuring sensor. The float rise up or fall down in liquid inducing measuring sensor to make proportional voltage which combine a V/I converter turn to a 4~20mA DC output signal. To provide a liquid level control function.

Technical Data

- Resolution accuracy:** ±12mm standard; ±6mm on request
- Material:** Wetted parts are available for SS304, SS316, PVC, PP, PVDF Others on request.
- Output single:** 4~20mA DC (500~20 kΩ) 2-wire
- Power supply:** 11V~30V DC
- Enclosure housing:** IP65, Explosion proof available
- Max. range:** 6000mm (SS316,SS304,PVC,PP,PVDF)
- Limit operating temperature:** -40~+100°C
- Limit operating pressure:** 0~15 kg/cm²



Dimension



* Head Type and Float Size please refer to head type and float size table.

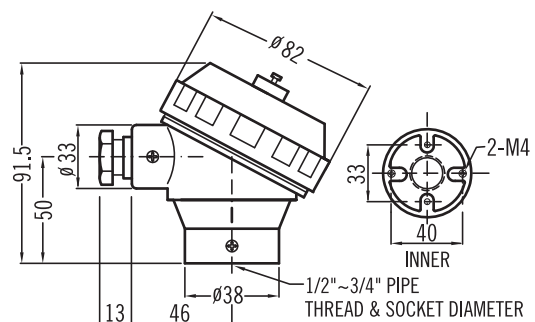
Head Type Technical Data



HN TYPE

HN Type

- Protection:** IP67
- Material:** Aluminum Alloy
- Weight:** 264g
- Protection tube connection:** ½", ¾" (PF, NPT, BSP), M20X1.5
- Extension wire connection:** ½", ¾" (PF, NPT, BSP), M20X1.5
- Other specifications are available on request.

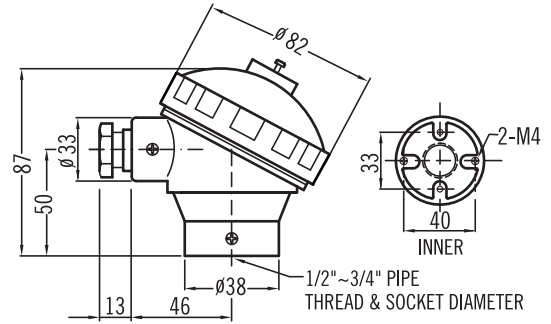




HP TYPE

HP Type

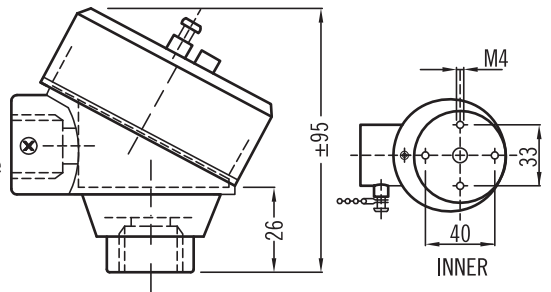
Protection: IP65
Material: Polypropylene
Weight: 112g
Protection tube connection: 1/2" NPT, 1/2" BSP
Extension wire connection: 3/4" NPT, M20X1.5
 Other specifications are available on request.



KS TYPE

KS Type

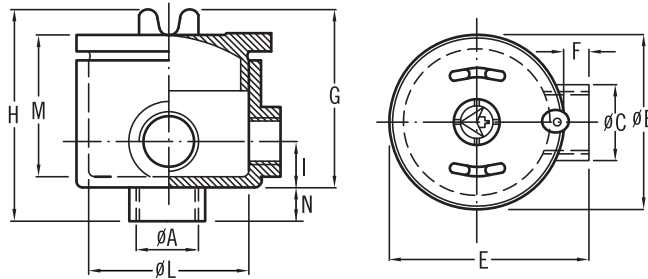
Protection: Explosion proof FM/CSA, certification NEMA 4X
Material: 316SS
Weight: 900g
 Other specifications are available on request.



S2 TYPE

S2 Type

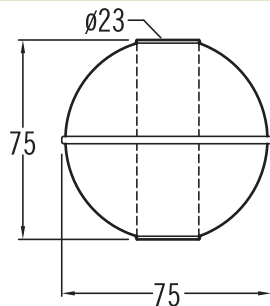
Protection: Explosion proof. EExdIICT6 IP65
Material: Aluminum Alloy



Type	Dimensions											Terminal Block (on request)	Weight Gr.	
	ØA	ØB	ØC	E	F	G	H	I	ØL	M	N			unitmm
S2	3/4"	90	38	100	10	78	92	24	76	69	14		4x4 mm ²	510

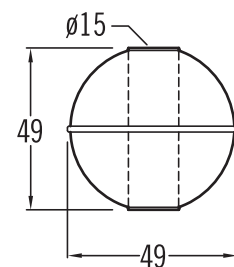
Float Specification

Ø75x75mm (SUS316)


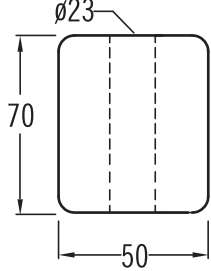

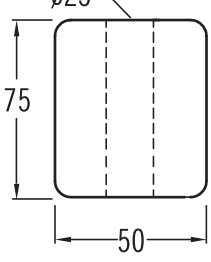

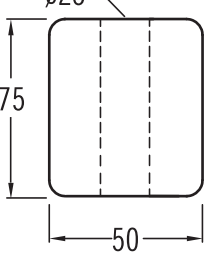


Flow Size: Ø75
Max. Working Pressure: 30 kg/cm²
Working S.G.: ≥ 0.68
The Guide Tube Size: Ø17.2
Material: SUS316
Limited Operating Temperature: -20 ~ 140°C

Ø49x49mm (SUS316)



Flow Size: Ø49
Max. Working Pressure: 30 kg/cm²
Working S.G.: ≥ 0.68
The Guide Tube Size: Ø12
Material: SUS316
Limited Operating Temperature: -20 ~ 140°C

ø50x70mm (P.V.C)	ø50x75mm (PVDF)	ø50x75mm (P.P)
  <p>Flow Size: ø50 Max. Working Pressure: 3 kg/cm² Working S.G.: ≥ 0.7 The Guide Tube Size: ø 17.2 Material: P.V.C Limited Operating Temperature: 0~70°C</p>	  <p>Flow Size: ø50 Max. Working Pressure: 5 kg/cm² Working S.G.: ≥ 0.8 The Guide Tube Size: ø 21.5 Material: PVDF Limited Operating Temperature: 0~120°C</p>	  <p>Flow Size: ø50 Max. Working Pressure: 3 kg/cm² Working S.G.: ≥ 0.7 The Guide Tube Size: ø 21.5 Material: P.P Limited Operating Temperature: 0~60°C</p>

Ordering Information

LT	Code	Model
		LTH Series (Thread connection)
		LTF Series (Flange connection)
		Code Enclosure Protection
	W	IP65 or IP67
	X	Explosion Proof
		Code Process Connection Size
		(A) 2" (B) 3" (O) option
		Code Process Connection Rating
		Thread: (A) PT (B) NPT (C) PF(BSP) (O) option
		Flange: (A) JIS 5K (B) JIS 10K (C) ANSI 150# (D) PN16 (O) option
		Code Material of Wetted Parts
		(1) SS304 (2) SS316 (3) P.V.C (4) P.P (5) PVDF (6) option
		Code Head Type
		(1) HN type (2) HP type (3) KS type (4) S2 type (5) option
		Code Float Size
		(A) ø75(SS316) (B) ø49(SS316) (C) ø50x70(P.V.C) (D) ø50x75(PVDF) (E) ø50x75(P.P)
		Code Conduit Connection
		(A) 1/2"PF (B) 1/2"NPT (C) 3/4"PF (D) 3/4"NPT
		Code Total Inserting Length
		L= _____ mm
		Code Measuring Length
		Please fill in the requested length. ℓ1= _____ mm
		Complete Ordering Code