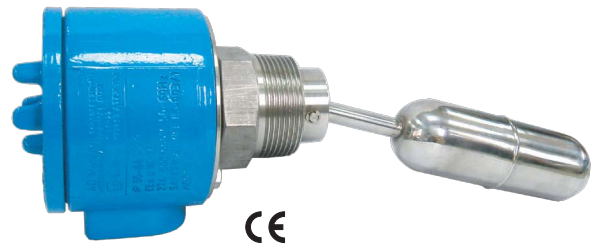


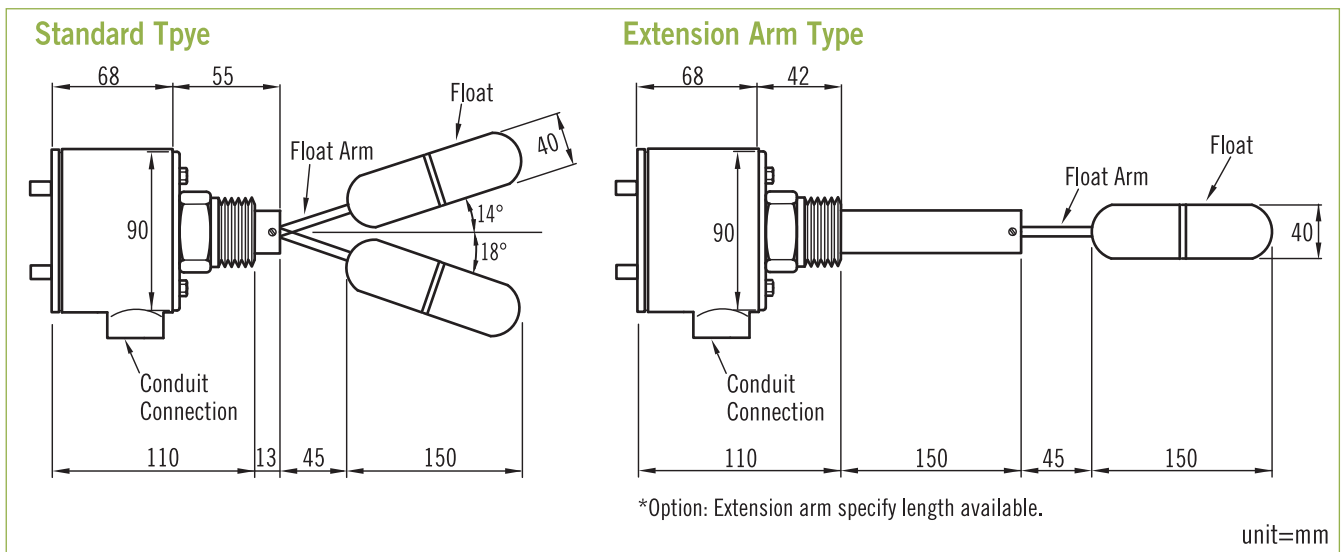
HORIZONTAL MAGNETIC LEVEL SWITCH EXPLOSION PROOF LXT201 Thread Type

Technical Data

- Enclosure housing:** Explosion proof-Ex d II C T6, IP65
- Process connection:** 1½" ~ 3" NPT male, thread type
- Material:** Wetted parts 316 stainless steel
- Pressure limits:** 3.0 MPa (30 kg/cm²), option: up to 4.5 MPa
- Float working specific gravity:** ≥ 0.7
(option: less than 0.7 available on request)
- Maximum temperature:** -30°C ~ +150°C
- Switch function:** SPDT Micro switch
- Switch rating:** 3A/250VAC, 3A/30VDC, 0.4A/125VDC
- Conduit connection:** ½" NPT, ¾" NPT female, option available

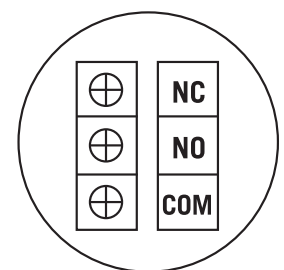


Dimensions



Ordering Information

LXT201	Code	Type		
	S	Standard type	E	Extension Arm Type
		Code	Process Connection Size	
			(1) 1½" (2) 2" (3) 3" (4) Option	
		Code	Process Connection Rating - Male	
			(A) NPT (B) Option	
		Code	Conduit Connection Size	
			(1) ½" NPT (2) ¾" NPT (3) Option	
		Code	Wetted Parts Material	
			(1) SS316 (2) Option	
LXT201				Complete Ordering Code



Wire Drawing