

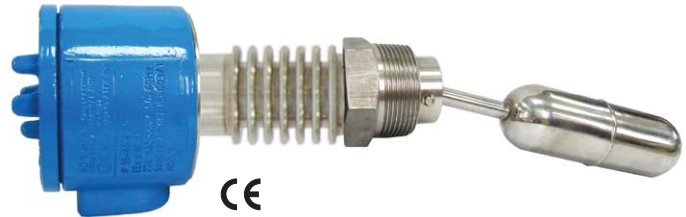
HORIZONTAL MAGNETIC LEVEL SWITCH

LXT203S Thread Type For High Temperature

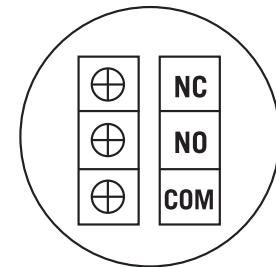
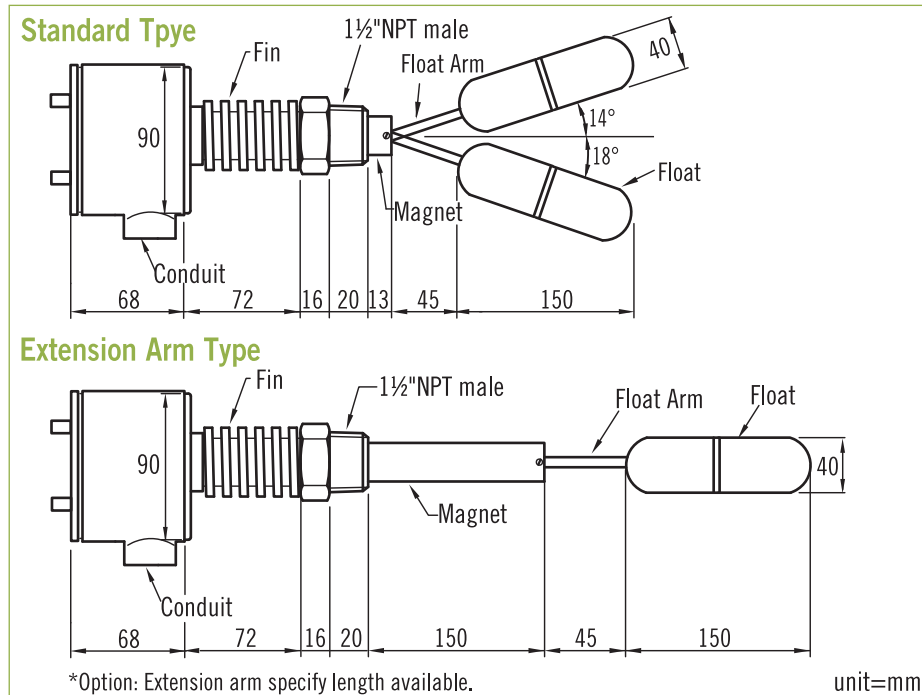
LXT203S float-operated level switches are suitable for controlling liquid level at horizontal mounting. The float equipped with an extended arm moves a couple magnetic mechanism to actuate a microswitch to offer an ON-OFF contact for application. LXT203S is equipped with an extra fin to be able to work under high temperature environment.

Technical Data

- Enclosure housing:** Explosion proof-EEEx d II C T6, IP65
- Process connection:** 1½"~ 3"NPT male, thread type
- Material:** Wetted parts 316 stainless steel
- Temperature limits:** -30°C to 350°C
- Pressure limits:** 3.0 MPa (30 kg/cm²), option: up to 4.5 MPa
- Float working specific gravity:** ≥ 0.7
(option: less than 0.7 available on request)
- Switch function:** SPDT Micro switch
- Switch rating:** 3A/250VAC, 3A/30VDC, 0.4A/125VDC
- Conduit connection:** ½"NPT, ¾"NPT female, option available



Dimensions



Wire Drawing

Ordering Information

LXT203S	Code	Type		
	S	Standard type	E	Extension Arm Type
		Code	Process Connection Size	
			(1) 1½" (2) 2" (3) 3" (4) Option	
		Code	Process Connection Rating - Male	
			(A) NPT (B) Option	
		Code	Conduit Connection Size	
			(1) ½"NPT (2) ¾"NPT (3) Option	
		Code	Wetted Parts Material	
			(1) SS316 (2) Option	
LXT203S				Complete Ordering Code