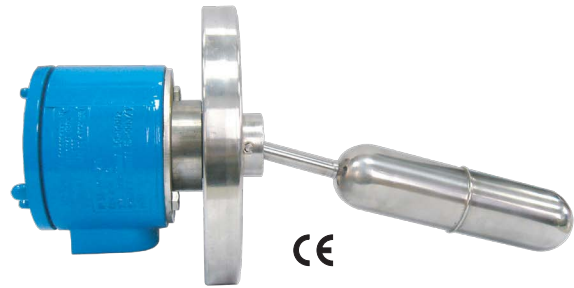


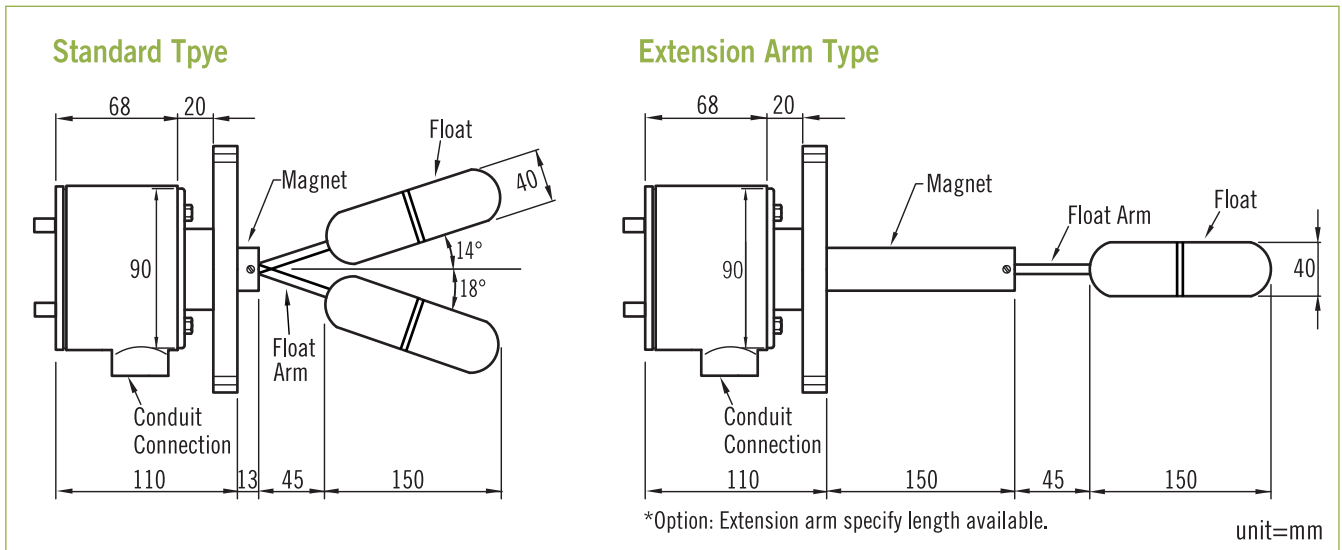
# HORIZONTAL MAGNETIC LEVEL SWITCH EXPLOSION PROOF LXT204 Flange Type

## Technical Data

- Enclosure housing:** Explosion proof-EEEx d II C T6, IP65
- Process connection:** 1½"~4" Flange type
- Flange rating:** JIS, ANSI, DIN available
- Material:** Wetted parts 316 stainless steel
- Pressure limits:** 3.0 MPa (30 kg/cm<sup>2</sup>), option: up to 4.5 MPa
- Float working specific gravity:** ≥ 0.7  
(option: less than 0.7 available on request)
- Maximum temperature:** -30°C ~ +150°C
- Switch function:** SPDT Micro switch
- Switch rating:** 3A/250VAC, 3A/30VDC, 0.4A/125VDC
- Conduit connection:** ½"NPT, ¾"NPT female, option available

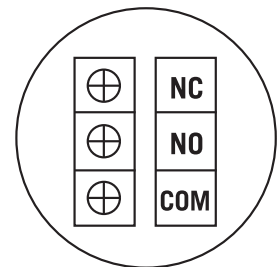


## Dimensions



## Ordering Information

LXT204	Code	Type		
	S	Standard type	E	Extension Arm Type
	Code	Process Connection Size		
		(1) 1½" (2) 2" (3) 3" (4) 4" (5) option (please specify size)		
	Code	Process Connection Rating		
		(A) JIS10K (B) JIS20K (C)ANSI 150# (D)ANSI 300# (E)PN16 (F)PN25 (G)option		
	Code	Conduit Connection Size		
		(1) ½"NPT (2) ¾"NPT (3) Option		
	Code	Flange Material		
		(1) SS316 (2) SS304 (3) Option		
LXT204				Complete Ordering Code



Wire Drawing