

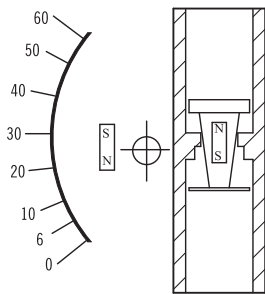
# PLASTIC TUBE FLOW METER MPF200

## Technical Data

**Service:** Air, gases, water, waste water and other liquid  
**Material:** Case-SS316; Body-PVC, CPVC; Float-SS316  
**Indication:** via magnetic coupling (no seals)  
**Scales:** calibrated in l/h, m<sup>3</sup>/h, kg/h, %  
**Flow rate:** water-0.4 l/h up to 1,000 l/h,  
 Air-21 NL/h up to 30,000 NL/h  
**Connection types:** Thread BSP, NPT  
**Max. working temperature:** PVC - 40°C; CPVC - 0°C~60°C  
**Max. working pressure:** Standard 20 kg/cm<sup>2</sup>;  
 other options upon request  
**Connection size:** ¼" ~ ½" NPT or BSP  
**Protection class:** IP65  
**Accuracy:** ± 2% FS (± 1.6% FS option)



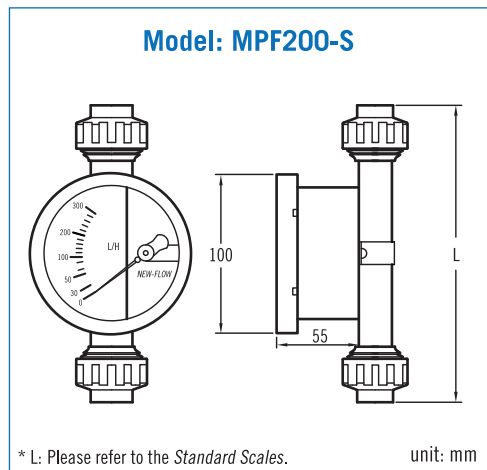
## Principle



## Dimensions

### MPF200-S

Basic Model: Thread Connection



## Standard Scales

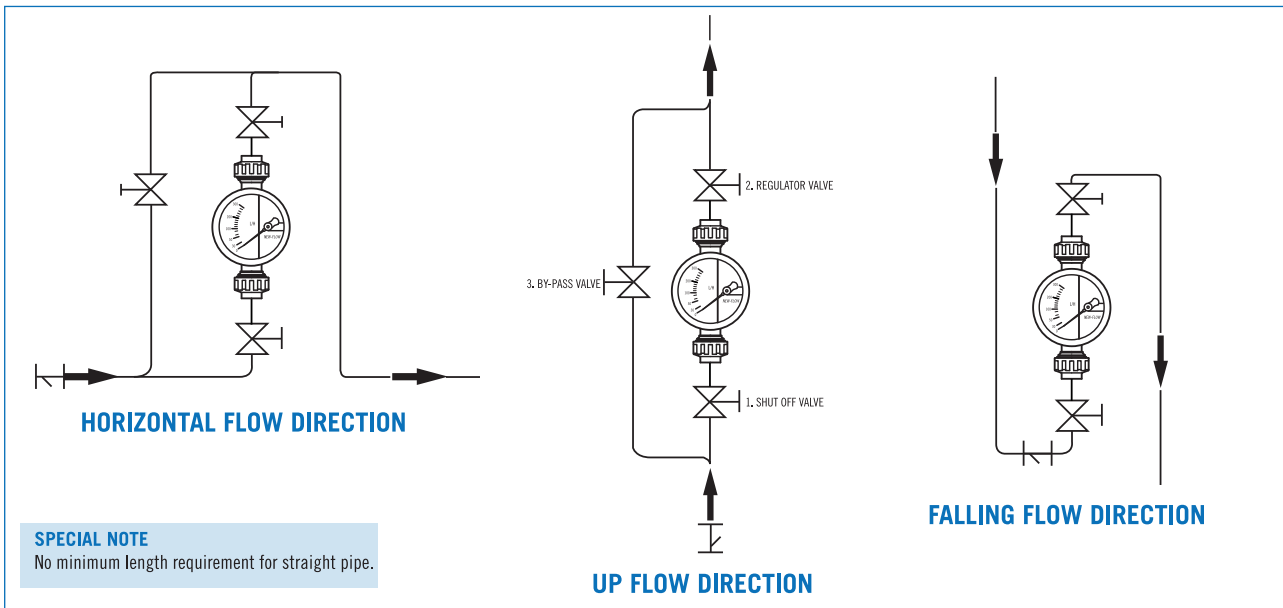
### A. Float Material: SS316

Tube	L/H 20°C Water	NL/H Air 20°C 1.013 bar	ΔPmm Water	BSP/NPT	Thread Type L (mm)
MPF2001	0.4 ~ 4	21 ~ 210	340	1/2"	158
MPF2002	0.6 ~ 6	33~330	340	1/2"	158
MPF2003	1 ~ 10	48~480	340	1/2"	158
MPF2004	1.5 ~ 15	60~600	340	1/2"	158
MPF2005	2 ~ 20	72~720	340	1/2"	158
MPF2006	3 ~ 30	90~900	340	1/2"	158
MPF2007	5 ~ 50	120~1200	340	1/2"	158
MPF2008	6 ~ 60	180~1800	340	1/2"	158
MPF2009	10 ~ 100	300~3000	340	1/2"	158
MPF2010	15 ~ 150	500~5000	340	1/2"	158
MPF2011	25 ~ 250	750~7500	340	1/2"	158
MPF2012	40 ~ 400	1200~12000	340	1/2"	158
MPF2013	60 ~ 600	1800~18000	340	1/2"	158
MPF2014	75~750	2000~20000	340	1/2"	175
MPF2015	100 ~ 1000	3000~30000	340	1/2"	175

### NOTE

Performance Technical Data are effective with date of issue and are subject to change without prior notice.

## Installation



## Ordering Information

MPF200	Code	Connection	Code	Connection size
	S	Thread connection	4B	1/4" BSP (Female)
		<b>Code</b> <b>Type</b>	4N	1/4" NPT (Female)
	G	Indicating only	2B	1/2" BSP (Female)
		<b>Code</b> <b>Alarm</b>	2N	1/2" NPT (Female)
		0 Without alarm switch		<b>Code</b> <b>Protection Class</b>
		<b>Code</b> <b>Body material</b>		IP IP65
		(A) PVC (B) CPVC		<b>Code</b> <b>Fluid</b>
		<b>Code</b> <b>Float &amp; Wetted part material</b>		G Gas
		A SS316		L Liquid
		<b>Code</b> <b>Connection rating</b>		<b>Code</b> <b>Range</b>
		0 Thread connection		S Standard range
				Please directly fill out the flow range in the order code.
<b>MPF200</b>			<b>+</b>	<b>Complete ordering code</b>

### NOTE:

1. Custom-made flow range and flange size upon request.
2. Please fill in the ordering information and service condition, and fax this sheet along with your inquiry to 886-7-8225588.

### Special instruction, if any:

---



---



---

### Service Condition:

Fluid name: \_\_\_\_\_

Sp. Gr. (density): \_\_\_\_\_

Viscosity: \_\_\_\_\_

Press.: \_\_\_\_\_

Temp.: \_\_\_\_\_

Full scale: \_\_\_\_\_