

MAGNETIC LEVEL GAUGE M-SERIES

The M series magnetic level gauge, level switch consist of an un-magnetic chamber, magnetic float and with a built-in magnet strips, a vertical chamber connected to a tank with two end. The float rised or falls in the chamber. It turn to the indicative strips to provide a indication of the tank level. This series also provide accessories such as switch and measuring sensor with converter turn to a 4~20mA (2 wires) DC output signal. To provide a liquid level control function.

Technical Data

Application for chemical and petrol chemical process, boilers and other industries.

Connection: From 1/2" to 3" flange type, JIS, ANSI, DIN rating available, special size on request

Pressure limited: 10 kg/cm² for plastic material type (P.V.C, P.P, PVDF)
20 kg/cm² for standard type
up to 40 kg/cm² on request

Temperature limited: 0~50°C for plastic chamber type
-40~150°C for standard type
-40~400°C for special type

Center to center length: Maximum 5500mm

Accuracy: ±4mm (Transmitter: ±12mm standard; ±6mm on request)

Indicating strips: Aluminum, Plastic (PBT) available, the colors are red and white

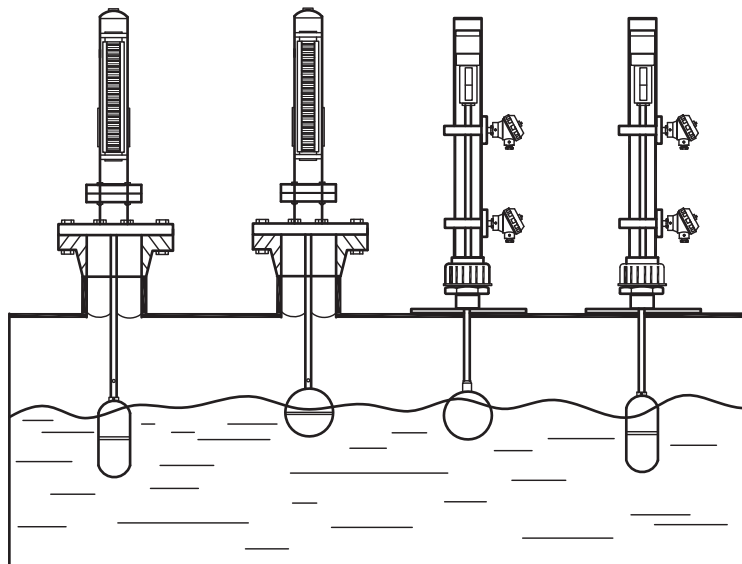
Specific gravity: 500~2900 kg/m³

Indicating gauge orientation adjustable

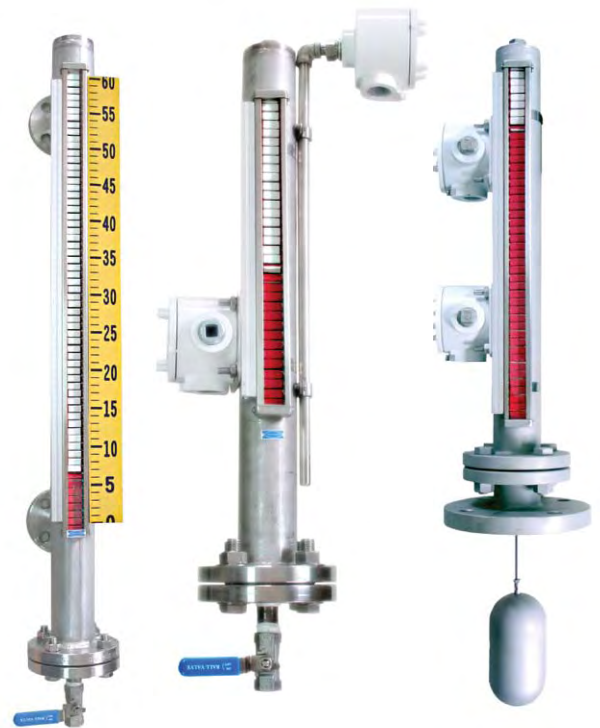
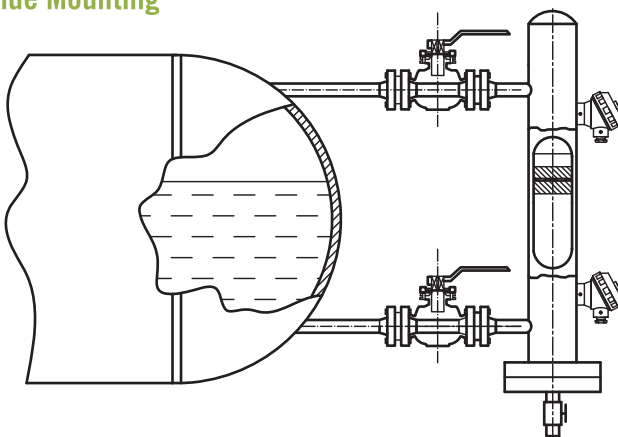
Chamber size: ø50 or ø60

Installation

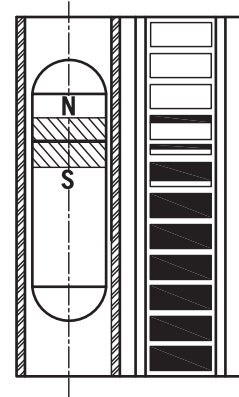
(A) Top Mounting



(B) Side Mounting



Principle



Switch Function

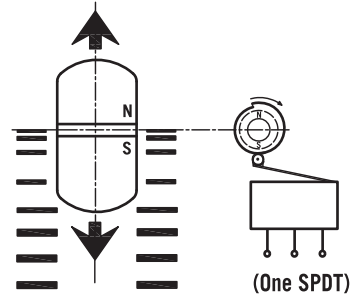
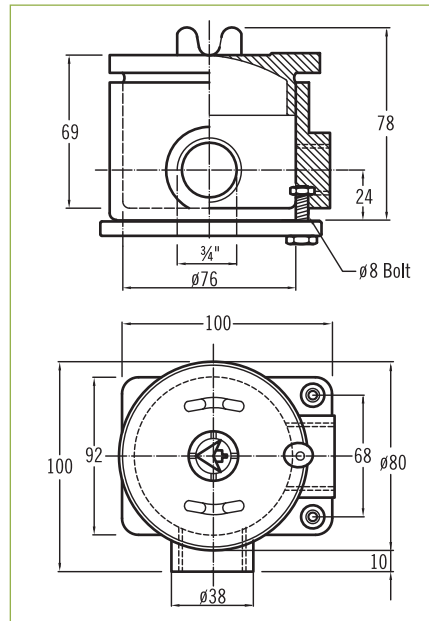
Micro Switch Type

Micro Switch: SPDT; SPDTx2 available
Rating: 3A/250VAC, 3A/30VDC, 0.4A/125VDC



Wire Drawing

Dimensions



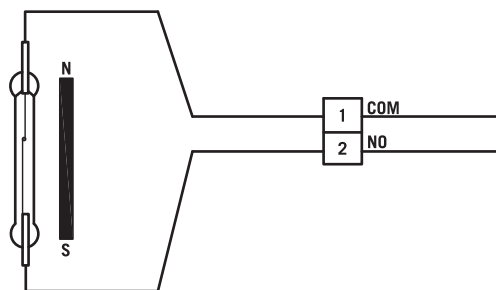
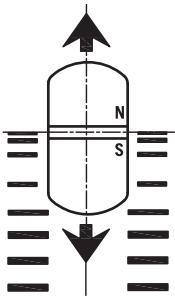
Option: 2 SPDT switch on request

NC	6
NO	5
COM	4
NC	3
NO	2
COM	1

(Two SPDT)

Reed Switch Type

Rating: 250VAC 1A SPDT



Transmitter Type

Potentiometer I/P

Output Signals: 4~20mA DC, Load resistance R_L (max)=(V_s-10)x50 Ω

Input Range: 100 Ω to 10K Ω (3-Wire)

Output Adjustment Range: Zero adjustment 0~15%; Span adjustment -20% ~ +60% FS

Accuracy: $\pm 0.1\%$ F.S (at 23 $^{\circ}$ C)

Linearity: $\pm 0.1\%$ F.S

Supply Voltage: 10~30V DC

Temp. Coefficient: $\pm 0.02\%$ / $^{\circ}$ C

Operating Temp.: -5 ~ +70/ $^{\circ}$ C

Operating Humidity: 0~90% RH

Socket and Terminal: Screw terminals (stainless steel screw)

Installation: Head and wall mounting

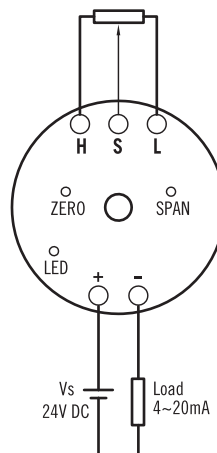
Case Material: Nylon 6 resin (Black)

Weight: about 50 grams



GL-T

Socket And Terminal



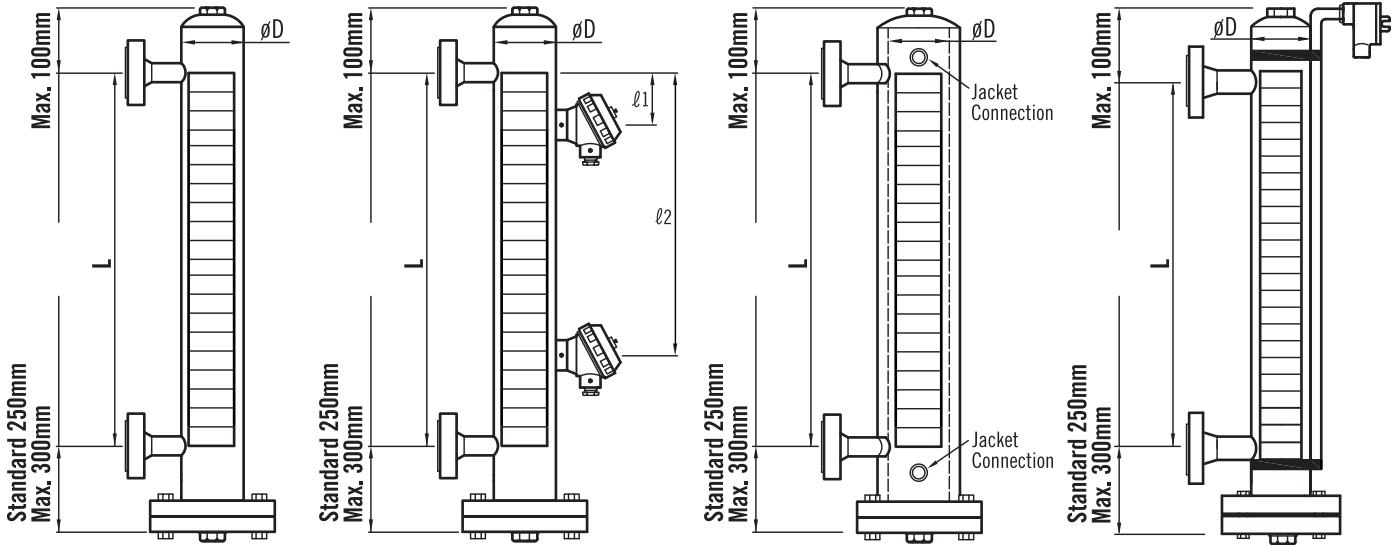
Features

- ISO 9001 and CE certificate
- High immunity to external noise
- LED indication and DC power polarity protection
- High reliability, lasting durability and low cost

Application

- Position of valve, damper and other devices

M Standard Type—Side Mounting Series



Model: M
Standard Type

Model: MS
Switch Type

Model: MJ
Heater Jacket Type

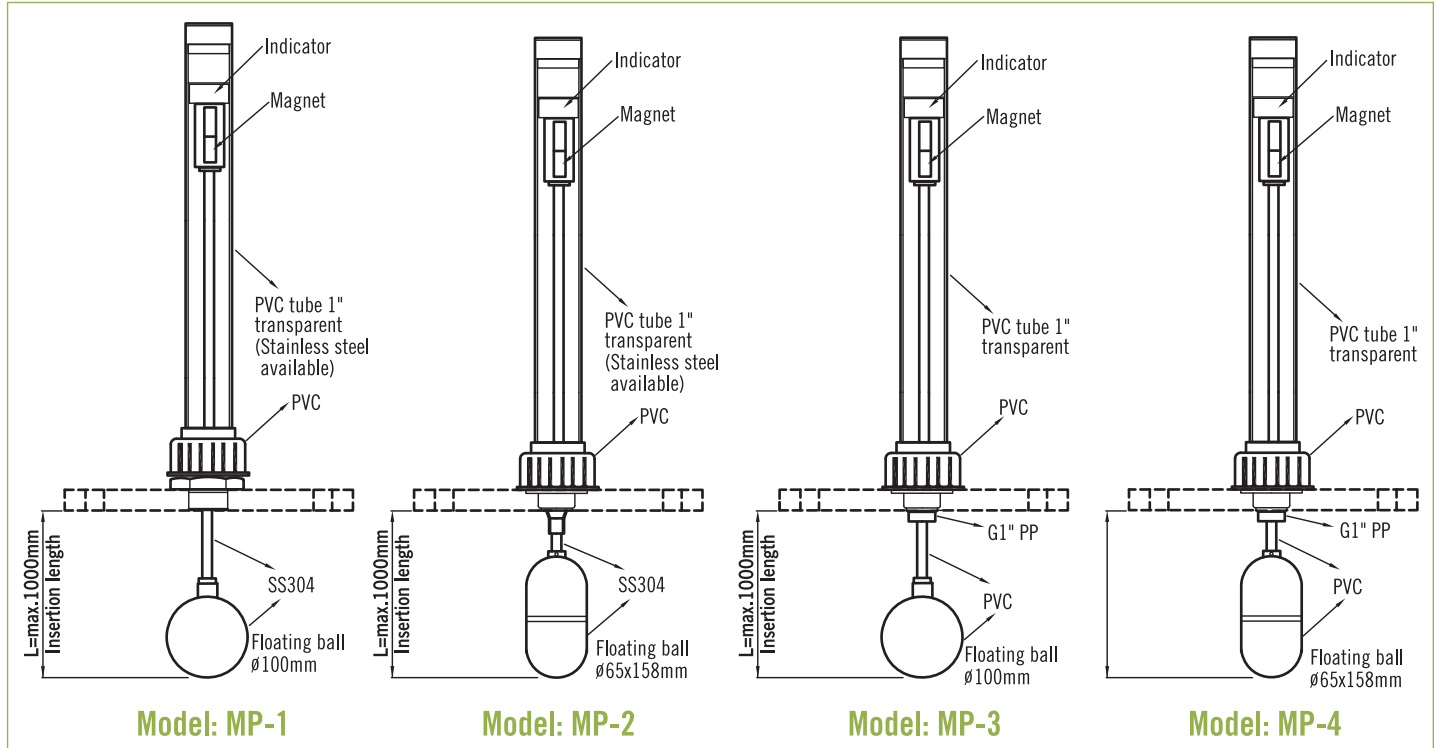
Model: MT
Transmitter Type

*D=ø50 or ø60

Ordering Information

M Type	Code	Model															
	M	Standard type	MS	Switch type	MJ	Heater jacket type	MT	Transmitter Type									
		Code	Connection														
		A	½"	B	¾"	C	1"	D	1½"	E	2"	F	3"	G	Option		
		Code	Connection Rating														
			(1) PTM (2) NPTM (3) JIS 10K (4) JIS 20K (5) ANSI 150# (6) ANSI 300# (7) PN16 (8) PN40 (9) Option														
		Code	Material of Wetted Parts														
		A	SS304	B	SS316	C	SS316L	D	P.V.C	E	P.P	F	PE	G	PVDF	H	Option
		Code	Material of Indicating Case														
		1	Aluminum	2	SS304												
		Code	Material of Indicating Strips														
		A	Plastic	B	Aluminum	C	Brass										
		Code	Switch Type														
		1	Reed Switch	2	Micro Switch	3	Option	0	Without Switch								
		Code	Switch Point														
			(A) 1	(B) 2	(C) 3	(D) 4	(0) Without										
		Code	Transmitter Type														
			(1) 4~20mA Transmitter	(2) Without													
		Code	Scale Plate														
		A	Yes	B	Without												
		Code	Switch or Transmitter Housing														
			(1) Weather proof IP65	(2) Explosion proof													
		Code	Specific Gravity														
			Please directly fill out the Sp. Gr. in the of liquid order code.														
		Code	Setting Point & Switch Acting Functions														
			Please fill in the requested length and float rised ↑ ON or fall down ↓ ON														
			l1= ___mm	<input type="checkbox"/>	ON	l2= ___mm	<input type="checkbox"/>	ON	l3= ___mm	<input type="checkbox"/>	ON	l4= ___mm	<input type="checkbox"/>	ON			
			l3= ___mm	<input type="checkbox"/>	ON	l4= ___mm	<input type="checkbox"/>	ON									
M Type																	Complete Ordering Code

MP Type—Top Mounting Transparent Series



Model: MP-1

Model: MP-2

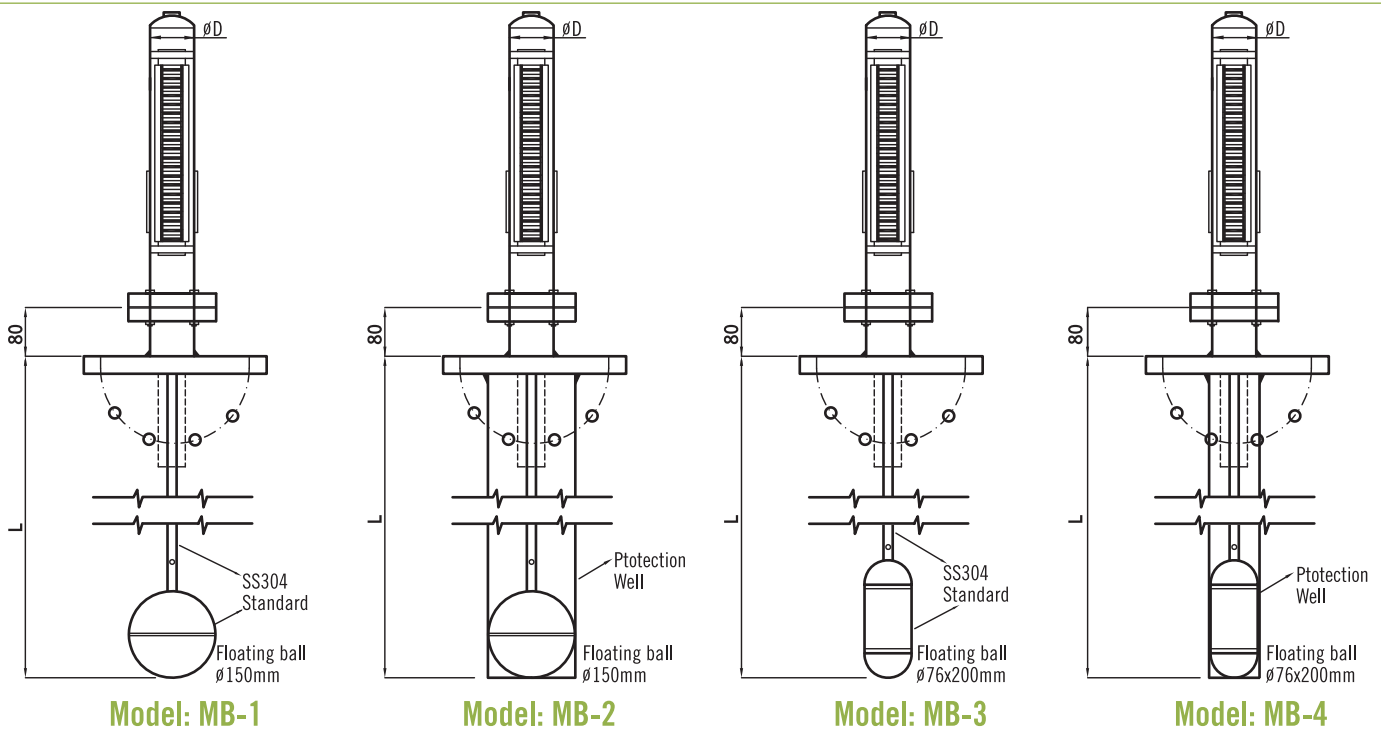
Model: MP-3

Model: MP-4

Ordering Information

MP Type	Code	Model
		MP-1 MP-2 MP-3 MP-4
		Code Connection
	A	3" B 4" C Option
		Code Connection Rating
		(1) PTM (2) NPTM (3) JIS 10K (4) ANSI 150# (5) PN16
		Code Material of Wetted Parts
	A	SS304 B SS316 C SS316L D P.V.C E P.P F PE G PVDF H Option
		Code Material of Indicating Case
	1	P.V.C tube transparent 2 Blind SS304 3 Blind SS316
		Code Switch Type
	1	Reed Switch 2 Micro Switch 3 Option 0 Without Switch
		Code Switch Point
		(A) 1 (B) 2 (C) 3 (D) 4 (0) Without
		Code Transmitter Type
		(1) 4~20mA Transmitter (2) Without
		Code Scale Plate
	A	Yes B Without
		Code Switch or Transmitter Housing
		(1) Weather proof IP65 (2) Explosion proof
		Code Specific Gravity
		Please directly fill out the Sp. Gr. in the of liquid order code.
		Code Setting Point & Switch Acting Functions
		Please fill in the requested length and float rised ↑ ON or fall down ↓ ON
		ℓ1= ___mm <input type="checkbox"/> ON ℓ2= ___mm <input type="checkbox"/> ON
		ℓ3= ___mm <input type="checkbox"/> ON ℓ4= ___mm <input type="checkbox"/> ON
MP Type		Complete Ordering Code

MB Type—Top Mounting Series



*D=ø50 or ø60

Ordering Information

MB Type	Code	Model
		MB-1 MB-2 MB-3 MB-4
	Code	Connection
	A	3" B 4" C Option
	Code	Connection Rating
		(1) JIS 10K (2) JIS 20K (3) ANSI 150# (4) ANSI 300# (5) PN16 (6) PN40 (7) Option
	Code	Material of Wetted Parts
	A	SS304 B SS316 C SS316L D P.V.C E P.P F PE G PVDF H Option
	Code	Material of Indicating Case
	1	Aluminum 2 SS304
	Code	Material of Indicating Strips
	A	Plastic B Aluminum C Brass
	Code	Switch Type
	1	Reed Switch 2 Micro Switch 3 Option 0 Without Switch
	Code	Switch Point
		(A) 1 (B) 2 (C) 3 (D) 4 (0) Without
	Code	Transmitter Type
		(1) 4~20mA Transmitter (2) Without
	Code	Scale Plate
	A	Yes B Without
	Code	Switch or Transmitter Housing
		(1) Weather proof IP65 (2) Explosion proof
	Code	Specific Gravity
		Please directly fill out the Sp. Gr. in the of liquid order code.
	Code	Setting Point & Switch Acting Functions
		Please fill in the requested length and float rised \uparrow ON or fall down \downarrow ON
		ℓ1= ___mm <input type="checkbox"/> ON ℓ2= ___mm <input type="checkbox"/> ON
		ℓ3= ___mm <input type="checkbox"/> ON ℓ4= ___mm <input type="checkbox"/> ON
MB Type		Complete Ordering Code