

# PRESSURE SWITCH NEMA 4, 4X, IP65

## PS2100W

**Proof Pressure to 1000psi**  
**Adjustable Ranges: 2~100psi**  
**Temperature: -20 to 205°C**

The New-Flow PS2100W, a water proof pressure switch, is designed to be used in control systems. PS2100W has high set point repeatability and narrow dead band features. A variety of range selections are available upon request. Easily adjusted to the set point, and no special tools needed!

### Technical Data

**Switch Data:** one SPDT & two SPDT Microswitch, 15amps 125/250V, Gold Contact Microswitch 1A 125/250VAC, Hermetically sealed switch 3A res. 1A ind. 28V/DC, 1A res. ind. 115V/AC

**Housing:** die cast aluminum alloy with paint

**Conduit Connection:** 3/4" or 1/2" NPT Female

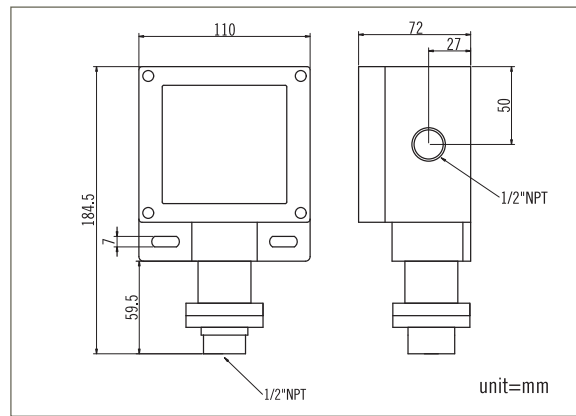
**Pressure Element:** welded type diaphragm

**Process Materials:** wetted parts are all in SS316

**Process Connection:** 1/2" or 1/4" NPT Female



### Dimensions



### Range Selection Table

Code	Adjustable Range	Dead Band	Maximum Pressure Proof
04R	2~12psi	0.2~0.4	1000psi
10R	2~16psi	0.2~0.5	1000psi
20R	2~20psi	0.3~0.6	1000psi
30R	3~28psi	0.3~0.8	1000psi
40R	7~100psi	0.7~2.0	1000psi

### Ordering Information

PS2100W	Code	Range									
		<b>04R</b> 2~12psi	<b>10R</b> 2~16psi	<b>20R</b> 2~20psi	<b>30R</b> 3~28psi	<b>40R</b> 7~100psi					
	<b>Code</b>	<b>Wetted Material</b>									
	A	SS316									
	<b>Code</b>	<b>Process Connection</b>									
		(1) 1/2" NPT Female (2) 1/4" NPT Female									
	<b>Code</b>	<b>Condit Connection</b>									
		(E) 3/4" NPT Female (F) 1/2" NPT Female, standard									
	<b>Code</b>	<b>Switch Form</b>									
	1	One SPDT									
	2	Two SPDT (one setting point)									
	3	Gold Contact (SPDT)									
	4	Hermetically Sealed (SPDT)									
<b>PS2100W</b>										<b>Complete Ordering Code</b>	