

# PRESSURE SWITCH EXPLOSION PROOF TYPE

## PS2100X

**CLASS I, GROUPS A, B, C, D;  
CLASS II, GROUPS E, F, G; NEMA 4X**  
Proof Pressure to 1000psi  
Adjustable Ranges: 2~100psi  
Temperature: -25 to 205°C

The New-Flow PS2100X, an explosion proof pressure switch, is designed to be used in control systems. PS2100X has high set point repeatability and narrow dead band features. A variety of range selections are available upon request. Easily adjusted to the set point, no special tools needed!

### Technical Data

**Switch Data:** one SPDT & two SPDT Microswitch, 15amps 125/250V, Gold Contact Microswitch 1A 125/250VAC, Hermetically sealed switch 3A res. 1A ind. 28V/DC, 1A res. ind. 115V/AC

**Housing:** die cast aluminum alloy with paint

**Conduit Connection:** 3/4" or 1/2" NPT Female

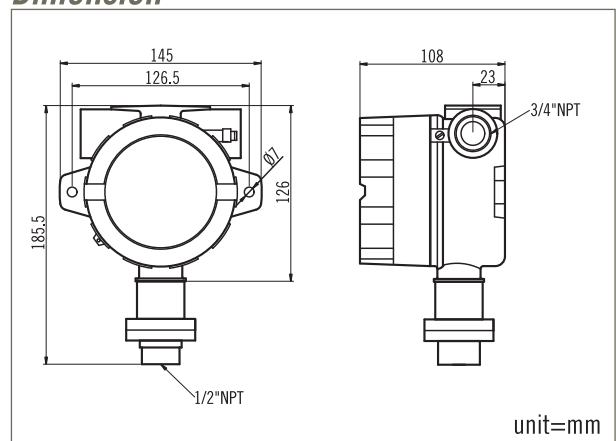
**Pressure Element:** welded type diaphragm

**Process Materials:** wetted parts are all in SS316

**Process Connection:** 1/2" or 1/4" NPT Female



### Dimension



### Range Selection Table

| Code | Adjustable Range | Dead Band | Maximum Pressure Proof |
|------|------------------|-----------|------------------------|
| 04R  | 2~12psi          | 0.2~0.4   | 1000psi                |
| 10R  | 2~16psi          | 0.2~0.5   | 1000psi                |
| 20R  | 2~20psi          | 0.3~0.6   | 1000psi                |
| 30R  | 3~28psi          | 0.3~0.8   | 1000psi                |
| 40R  | 7~100psi         | 0.7~2.0   | 1000psi                |

### Ordering Information

| PS2100X | Code | Range  | Wetted Material |  | Process Connection                      |  | Conduit Connection                                |  | Switch Form                    |                        |
|---------|------|--|-----------------|--|---|--|---|--|--------------------------------|------------------------|
|         |      | 04R 2~12psi    10R 2~16psi    20R 2~20psi    30R 3~28psi    40R 7~100psi |                 |  |   |  |   |  |                                |                        |
|         | A    |  | SS316           |  | (1) 1/2" NPT Female (2) 1/4" NPT Female |  | (E) 3/4" NPT Female, standard (F) 1/2" NPT Female |  |                                |                        |
|         |      |  |                 |  |   |  |   |  | 1 One SPDT                     |                        |
|         |      |  |                 |  |   |  |   |  | 2 Two SPDT (one setting point) |                        |
|         |      |  |                 |  |   |  |   |  | 3 Gold Contact (SPDT)          |                        |
|         |      |  |                 |  |   |  |   |  | 4 Hermetically Sealed (SPDT)   |                        |
| PS2100X |      |  |                 |  |   |  |   |  |                                | Complete Ordering Code |