

PSA2000X

PRESSURE SWITCH EXPLOSION PROOF TYPE

PSA2000X

**CLASS I, GROUPS A, B, C, D;
CLASS II, GROUPS E, F, G; NEMA 4X**
Proof Pressure to 5000psi
Adjustable Ranges: 10~2400psi
Temperature: -25 to 205°C
Dead Band: Adjustable



CE

The New-Flow PSA2000X, an explosion proof pressure switch, is designed to be used in control systems. PSA2000X has high set point repeatability and adjustable dead band features. There are a variety of range selections available upon request. Easily adjusted to the set point, no special tools needed!

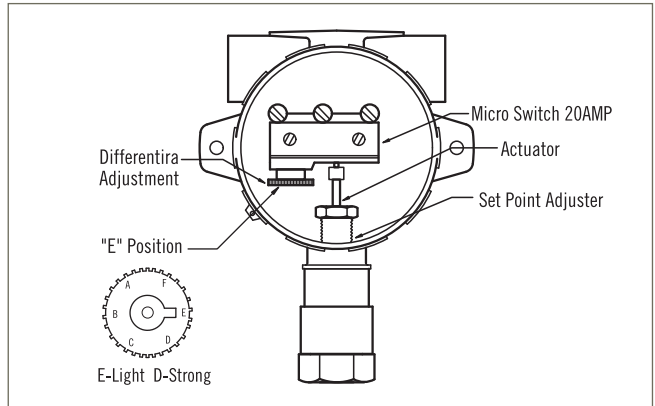
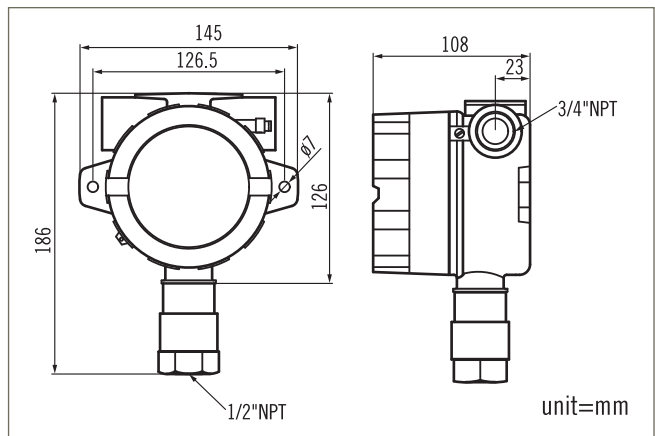
Technical Data

Switch Data: 20Amp @ 125, 250 or 480 VAC
Housing: die cast aluminum alloy with paint
Conduit Connection: 3/4" or 1/2" NPT Female
Pressure Element: welded type diaphragm
Process Materials: wetted parts are all in SS316
Process Connection: 1/2" or 1/4" NPT Female

Range Selection Table

| Code | Pressure Range | Adjustable Dead Band at "E" Position | Maximum Pressure Proof |
|------|----------------|--------------------------------------|------------------------|
| 10R | 10~100psi | 10~25 | 3000psi |
| 20R | 35~200psi | 20~50 | 3000psi |
| 30R | 50~300psi | 30~75 | 3000psi |
| 60R | 100~600psi | 60~150 | 3000psi |
| 130R | 200~1300psi | 130~325 | 3000psi |
| 240R | 400~2400psi | 240~600 | 4000psi |

Dimensions



Ordering Information

| PSA2000X | Code | Range | | | | | | | |
|-----------------|-------------|---|-------------------------|----------------------|-----------------------|--|--|-------------------------------|--|
| | | 10R 10~100psi | 20R 35~200psi | 30R 50~300psi | 60R 100~600psi | | | | |
| | | 130R 200~1300psi | 240R 400~2400psi | | | | | | |
| | Code | Wetted Material | | | | | | | |
| | A | SS316 | | | | | | | |
| | Code | Process Connection | | | | | | | |
| | | (1) 1/2" NPT Female (2) 1/4" NPT Female | | | | | | | |
| | Code | Condit Connection | | | | | | | |
| | | (E) 3/4" NPT Female, standard (F) 1/2" NPT Female | | | | | | | |
| | Code | Switch Form | | | | | | | |
| | 1 | One SPDT | | | | | | | |
| PSA2000X | | | | | | | | Complete Ordering Code | |

WWW NEW-FLOW COM • TEL: 886-7-8135500 • FAX: 886-7-8225588 • Email: info@new-flow.com