

# PRESSURE SWITCH EXPLOSION PROOF TYPE

## PSA2100X

**CLASS I, GROUPS A, B, C, D;  
CLASS II, GROUPS E, F, G;  
NEMA 4X**

**Proof Pressure to 1000psi  
Adjustable Ranges: 2~100psi  
Temperature: -25 to 205°C  
Dead Band: Adjustable**

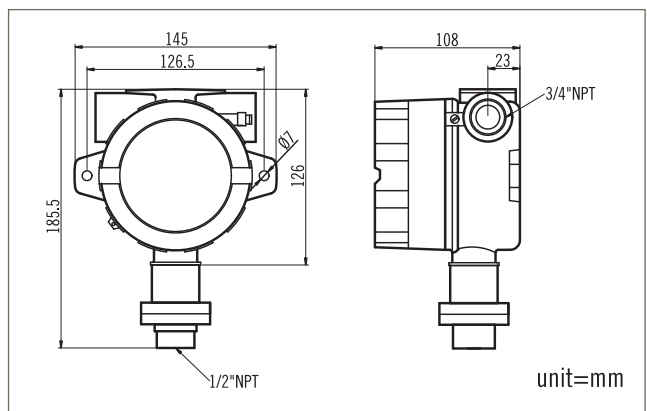
The New-Flow PSA2100X, an explosion proof pressure switch, is designed to be used in control systems. PSA2100X has high set point repeatability and narrow dead band features. There are a variety of range selections available upon request. Easily adjusted to the set point, no special tools needed!

### Technical Data

**Switch Data:** 20Amp @ 125, 250 or 480 VAC  
**Housing:** die cast aluminum alloy with paint  
**Conduit Connection:** 3/4" or 1/2" NPT Female  
**Pressure Element:** welded type diaphragm  
**Process Materials:** wetted parts are all in SS316  
**Process Connection:** 1/2" or 1/4" NPT Female

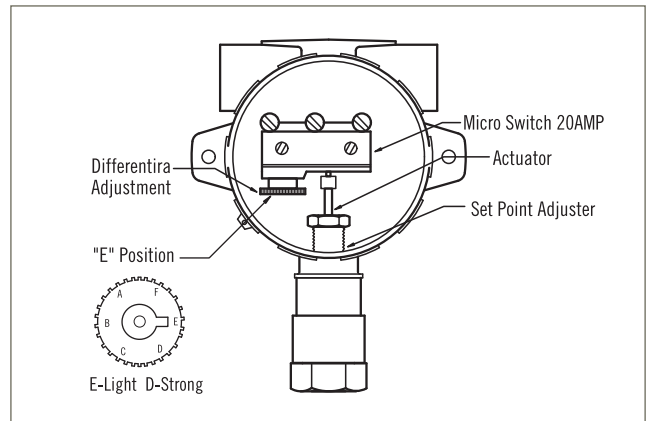


### Dimensions



### Range Selection Table

Code	Pressure Range	Adjustable Dead Band at "E" Position	Maximum Pressure Proof
04R	2~12psi	1.2~3	1000psi
10R	2~16psi	1.6~4	1000psi
20R	2~20psi	2~5	1000psi
30R	3~28psi	2.8~7	1000psi
40R	7~100psi	0.7~2	1000psi



### Ordering Information

PSA2100X	Code	Range	Code		Range		Code		Range		
		04R	2~12psi	10R	2~16psi	20R	2~20psi	30R	3~28psi	40R	7~100 psi
		Code	Wetted Material								
		A	SS316								
		Code	Process Connection								
			(1) 1/2" NPT Female (2) 1/4" NPT Female								
		Code	Condit Connection								
			(E) 3/4" NPT Female (F) 1/2" NPT Female, standard								
		Code	Switch Form								
		1	One SPDT								
PSA2100X											Complete Ordering Code