

POLYCARBONATE PLASTIC FLOW METER

VF200 – With alarm switch type, Weather proof IP65
– Without alarm switch type

Technical Data

Service: Water, Air

Wetted parts material:

Body: Polycarbonate (P.C); Polysulfone (PSU) available

O-ring: Viton

Float: –Magnet coating with polypropylene (P.P);

–If the liquid temperature > 80°C, the float coating should be PVDF

Connection: SS316; Plastic (PP, PVC, PVDF)

Connection size: 3/8", 1/2", 3/4" NPT female available

Mounting: Vertical position

Pressure limits: 300psig (20bar) @100°F (38°C)

Temperature limits:

–PC body tube with SS316 or PVDF connection: -5°C ~ +80°C

–PC body tube with PP or PVC connection: -5°C ~ +54°C

–PSU body tube with SS316 connection: -5°C ~ +120°C

–PSU body tube with PVDF connection: -5°C ~ +120°C

Accuracy: ±5% full scale

Alarm switch: One setting point, form A N.O. type bistable switch

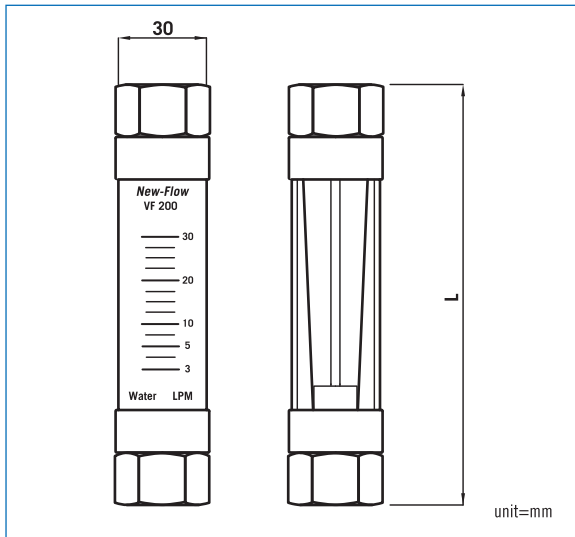
Switch rating: AC 125V 0.5A / DC 100V 10W / Max. DC 250V<1mA

Weight: approach 0.35kg (plastic)

(Contact setting point should be within 10% to 80% of F.S)



Dimensions



Flow Direction Types



Ordering Information

VF200	Code	Flow Range
	A-1	Water (LPH - Litter per Hour)
		(1) 6~60 (2) 12~120 (3) 25~200 (4) 40~300
	A-2	Water (LPM - Litter per Minute)
		(5) 0.1~1 (6) 0.2~2 (7) 0.6~5 (8) 0.5~3 (9) 1~10
	B	Air (LPM - Normal Litter per Minute)
		(10) 6~30 (11) 10~60 (12) 10~100 (13) 15~150 (14) 30~300
	Code	Alarm Switch
	1R	One setting point
	0	Without alarm
	Code	Body Material
	PC	Polycarbonate
	PSU	Polysulfone
	Code	Connectoin Material
		(1) SS316 (2) P.P (3) P.V.C (4) PVDF
	Code	Process Connection in Female
	A	3/8" NPT (L=150mm)
	B	1/2" NPT (L=150mm)
	C	3/4" NPT (L=162mm)
	Code	Flow Direction
	BT	Bottom to Top
VF200		Complete ordering code