

# FLOW SWITCH FS40R FS40RB—BRASS FS40RS—STAINLESS STEEL

Easy Installation  
For Small Pipe Application

## Technical Data

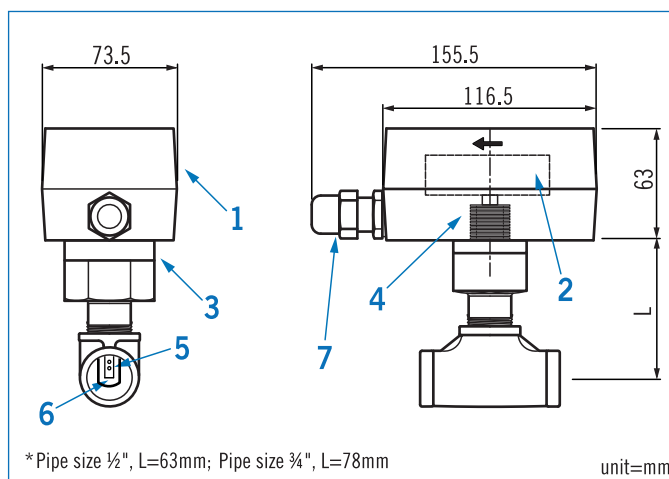
**Protection class:** IP65  
**Process Connection:** 1/2", 3/4" Female (Tee), NPT and PT available  
**Material:** Housing: Plastic (Other wetted part: brass or stainless steel)  
**Application:** Liquid  
**Installation:** Easily mounted directly on pipe line  
**Microswitch:** SPDT, 15A 125, 250V 480 VAC, 1/2A 125 VDC, 1/4A 250 VDC  
**Conduit Connection:** PG11, other thread available with adaptor  
**Temperature Limit:** -30~+120°C  
**Pressure Limit:** 20 kg/cm<sup>2</sup> — stainless steel; 10 kg/cm<sup>2</sup> — brass



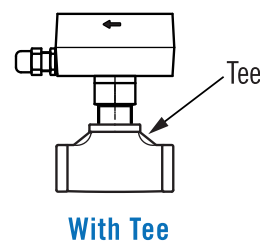
## Flow Rate Table (For Acuate & Deactuate)

Flow Rates Required to Actuate, Deactuate Litter per Hour (L/H) Water at 25°C				
Pipe Size	Actuate (on)		Deactuate (OFF)	
	FS-40RB	FS-40RS	FS-40RB	FS-40RS
1/2"	590~600	610~630	370~390	390~410
3/4"	760~780	790~810	465~480	490~520

## Dimensions



## Installation Instruction



## Ordering Information

FS40R	Code	Connection Material
	B	Brass
	S	SS316
		<b>Code</b> <b>Process Connection</b>
	1	1/2" NPT female
	2	1/2" PT female
	3	3/4" NPT female
	4	3/4" PT female
	0	option
<b>FS40R</b>		<b>Complete ordering code</b>

## Material List

Item		FS-40RB	FS-40RS
1	Housing	plastic	plastic
2	Switch mechanism	Microswitch unit	Microswitch unit
3	Connection	brass	SS316
4	Bellows	brass	SS316
5	Paddle guide	brass	SS316
6	Paddle	SS301	SS301
7	Conduit	plastic	plastic